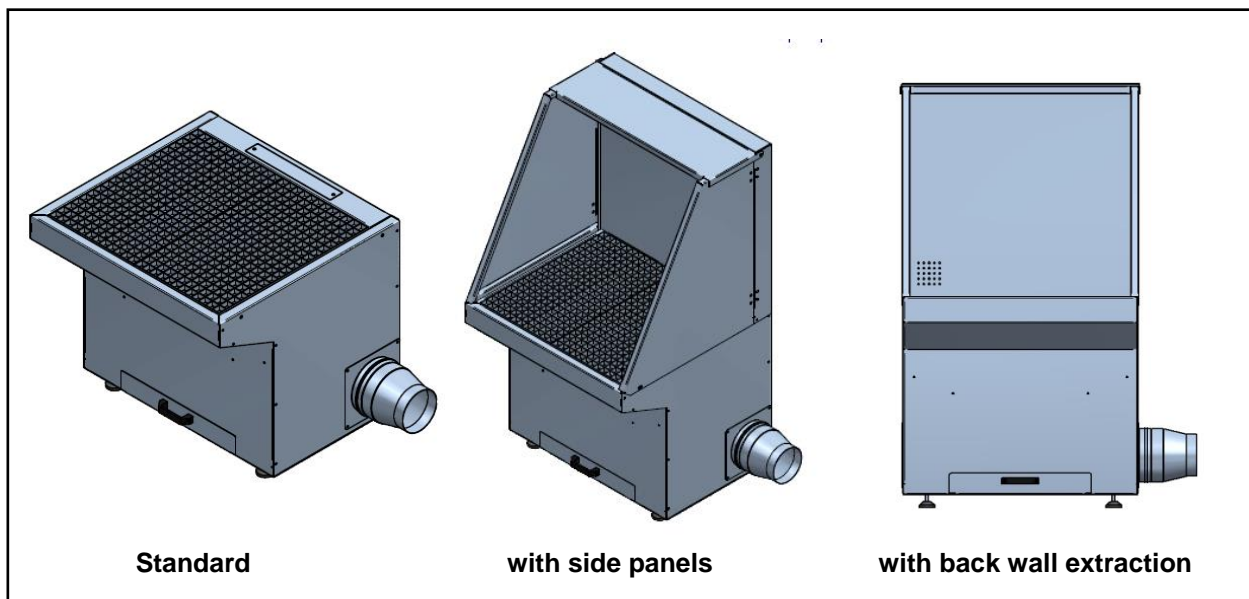


Welding/Grinding Downdraft Tables (without fan)

Welding a. Grinding Table without extraction fan	A 880	A 1280	A 1680	A 2080
Work surface (L/W) mm	800 x 700	1200 x 700	1600 x 700	2000 x 700
Extraction port diam. mm	160	160	200	200
Dimensions (L/W/H) mm (Standard-Model)	880 x 840 x 800	1280 x 840 x 800	1680 x 840 x 800	2080 x 840 x 800
Dimensions (L/W/H) mm (with side panels/ back wall extraction)	880 x 840 x 1600	1280 x 840 x 1600	1680 x 840 x 1600	2080 x 840 x 1600
Order-No.				
Standard	44.010	44.020	44.030	44.040
with side panels	44.011	44.021	44.031	44.041
with side panels a. back wall extr.	44.012	44.022	44.032	44.042



ESTA PLUS

Application Range:

- Welding, grinding, deburring of all types of metals
- Also suitable for other applications (e. g. plastics processing, gluing processes)

Your benefits at a glance:

- Extraction directly at the workstation
- Compact solution
- For variable use
- Easy disposal of coarse dirt

Special Feature:

- Expandable components
- Side panels
- Back wall extraction
- Cover on top (lid)

State of the art: 44010-51-00 Subject to change without notice! For remaining questions please do not hesitate to contact us.

ESTA Apparatebau GmbH & Co. KG
Gotenstraße 2 – 6
89250 Senden

Telefon 07307 804-0
Telefax 07307 804-500
E-Mail info@esta.com

www.esta.com