

NEW**MOBEX Series of Compact Dust Extractors – New Design****The all-rounder for extracting dust, chips and smoke**

The new MOBEX series is based on an innovative housing concept with a patent-pending fold system. Its stable plastic sandwich panels ensure low-noise operation.

The MOBEX series of stationary compact extractors is designed not only for extracting dry, free-flowing dust, but also for separating welding fumes. The extractors can be used in nearly all industries for single or multiple applications.

A direct hose connection enables extraction from machines, circular saws, grinding and milling machines or extraction tables. Hoods or ESTA extraction arms can also be used to capture material.

A duct system for up to four extraction points turns the newly designed devices into a central extraction system for several machines or manual workstations.

ESTA PLUS**Application Range:**

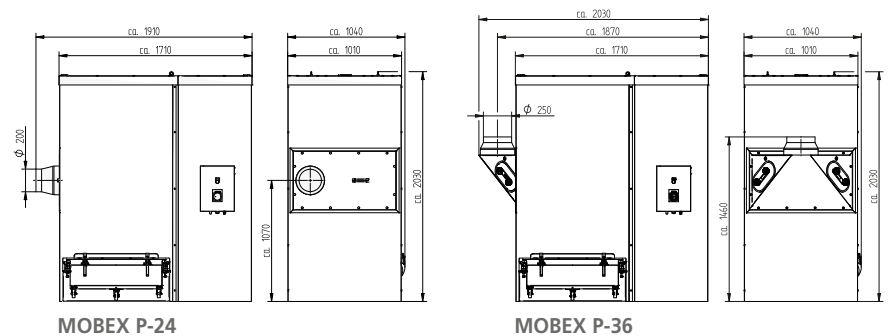
- Universal use for dust, chips and welding fumes in the metal, plastics and many other industries
- Single or multiple-location extraction
- Suitable for connection to extraction tables or capture elements (such as exhaust hoods)

Special Features:

- Integrated impact separator
- Cleanable permanent filter (dust class M)
- Fully automatic jet pulse cleaning
- Detachable dust collection container with lockable cartons for simple, dust-free disposal
- Optional: ATEX design, test certificates H and W3

Your Benefits:

- High suction performance
- Cleanable permanent filter
- Soundproof housing
- Compact design



MOBEX P-24

MOBEX P-36

Technical Data

MOBEX		P-24	P-36
Max. airflow	m ³ /h	2.800	4.500
Intake/Exhaust diameter	mm	200	250
Max. negative pressure	Pa	3.400	3.400
Supply voltage	V	400	400
Motor	kW	3,0	4,0
Filter elements	pcs	2	3
Filter surface	m ²	24	36
Collection container	l	2 x 38	2 x 38
Dimensions (L/W/H)	mm	1.910 x 1.040 x 2.030	1.910 x 1.040 x 2.030
Weight	kg	310	350
Sound power level	dB(A)	71	74
Order Number		09.831	09.832



MOBEX connected to an extraction table

The MOBEX series is available in two performance levels: in addition to a version with a 3 kW motor and two filter cartridges, a version with a 4 kW motor and three filter units is also available for greater airflow volume.

The tried-and-tested ESTA jet pulse system is always integrated, which automatically cleans the filters with compressed air shots during operation. The separated dust falls downwards, as is the case with coarser particles and chips, which are captured by the integrated impact separator as soon as they enter the dust extractor housing. This design not only optimizes airflow, but also contributes to extending the filter life, which leads to lower compressed air consumption.



The two 38-litre dust collection cartons in the mobile drawer

Collected material is easily disposed in a low-dust manner through an extendible drawer. This is equipped with two 38-litre lockable cartons for capturing and disposing waste.

MOBEX extractors are also available in optional IFA-certified or ATEX-compliant designs.



Integrated impact separator



MOBEX at a milling machine



ESTA Apparatebau GmbH & Co. KG

Gotenstraße 2 – 6
89250 Senden
Phone: +49 (0) 7307 804-0
Fax: +49 (0) 7307 804-500
E-Mail: info@esta.com
www.esta.com

ESTA Extraction Technology

For over 40 years ESTA extraction technology has offered solutions for a multitude of industries and trades. From stand-alone units for the most diverse applications to complex extraction systems – we consistently ensure a clean working environment. ESTA equipment not only protects your high-tech machinery investments but also creates the prerequisites for highly efficient and quality oriented work results.

Contact us and request our complete catalogue free of charge.

www.esta.com

