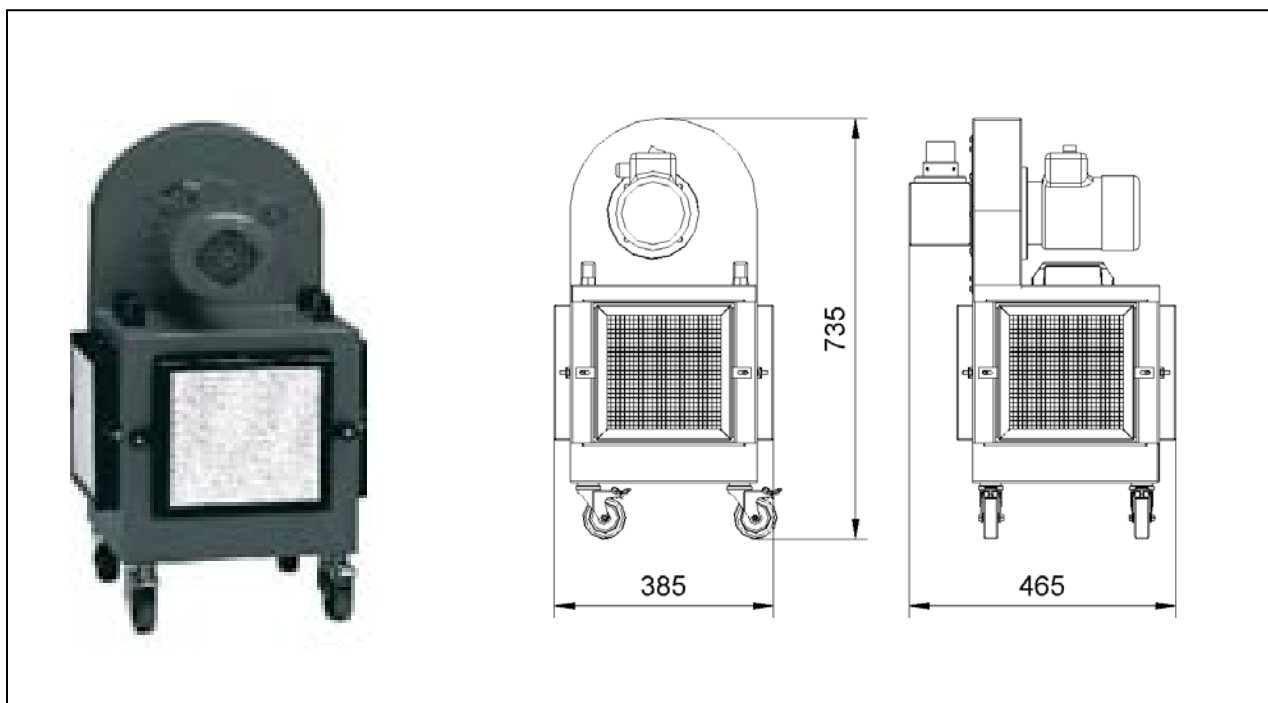


KAF 70

(07.071L)

Voltage	(V)	230	Max. neg. pressure	(Pa)	1.100
Motor	(kW)	0,55	Max. airflow	(m ³ /h)	500
Rated frequency	(Hz)	50	Weight	(kg)	30
Control mode		S3	Dimensions (l x w x h)	(mm)	385 x 465 x 735
Intake	(mm)	50			



ESTA PLUS

Application Range:

Extraction of single workstations
in laboratories and precision mechanical workplaces
Soldering fume

Your benefits at a glance:

Compact and functional design
Mobile for versatile use
Odor reduction through optional activated carbon filter

Characteristic:

Filter cassette with active carbon

Optional features:

special painting, special voltage, odor reduction
through optional filter, with dust filter

State of the art: 07071L-51-00 Subject to change without notice! For remaining questions please do not hesitate to contact us.