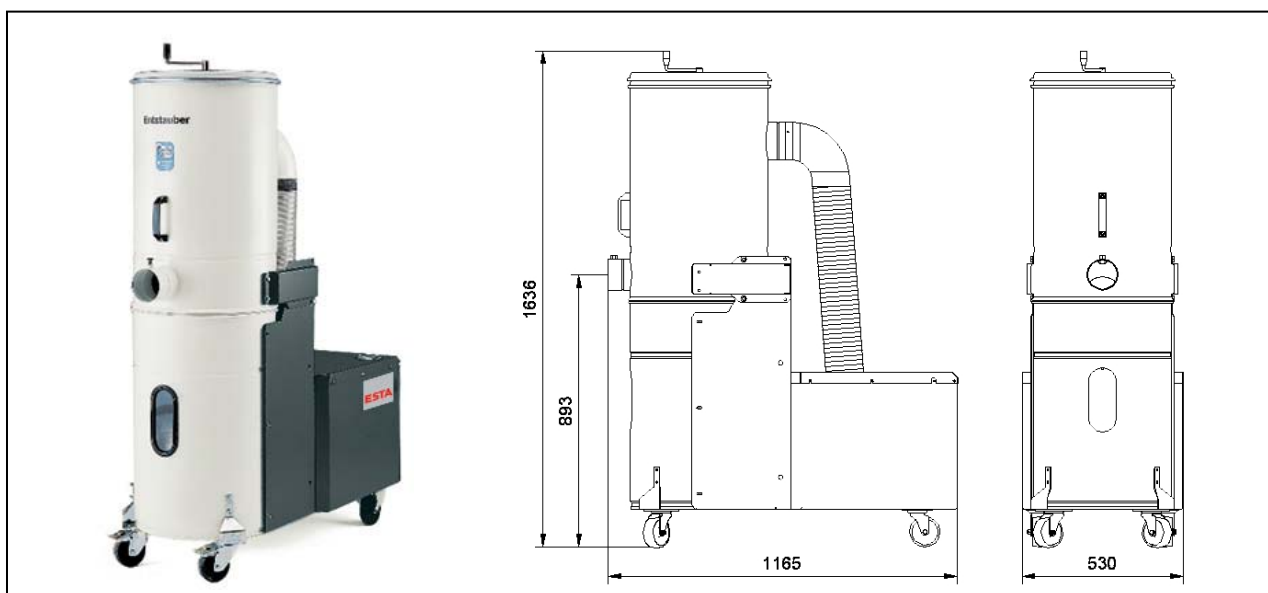


DUSTOMAT-10 / 230 V

(09.201)

Voltage	(V)	230	Filter surface	(m ²)	3,5
Motor	(kW)	1,3	No. of filter elements	(pc)	1
Ampere	(A)	8,0	Filter material		„M“-classified
Rated frequency	(Hz)	50	Filter cleaning		manual brush cleaning
Fuse	(A)	16	Weight	(kg)	120
max. neg. pressure	(Pa)	2.800	Intake	(mm)	100
max. airflow	(m ³ /h)	720	Dust collection bin	(Liter)	100
Sound level	(dB (A))	73	Dimensions (l x w x h)	(mm)	1.165 x 530 x 1.636



ESTA PLUS

Application range:

Dust extraction of individual machines and manual workstations
Pourable dust types – including hazardous types of dust

Your benefits at a glance:

Low operating costs resulting from cleanable long life filter cartridges
Mobility combined with high extraction performance
Tilt-back filter housings for easy dust disposal
Suitable for most types of dust

Characteristics:

Filter cleaning method:
Brush cleaning method (manually)

Cleanable long life cartridge filters (Dust classification M)

Special equipment with different filter cartridges, exhaust air socket, special voltage, special painting, pre-separator, floor and machine cleaning tools possible

State of the art: 09215-51-02 Subject to change without notice! For remaining questions please do not hesitate to contact us.