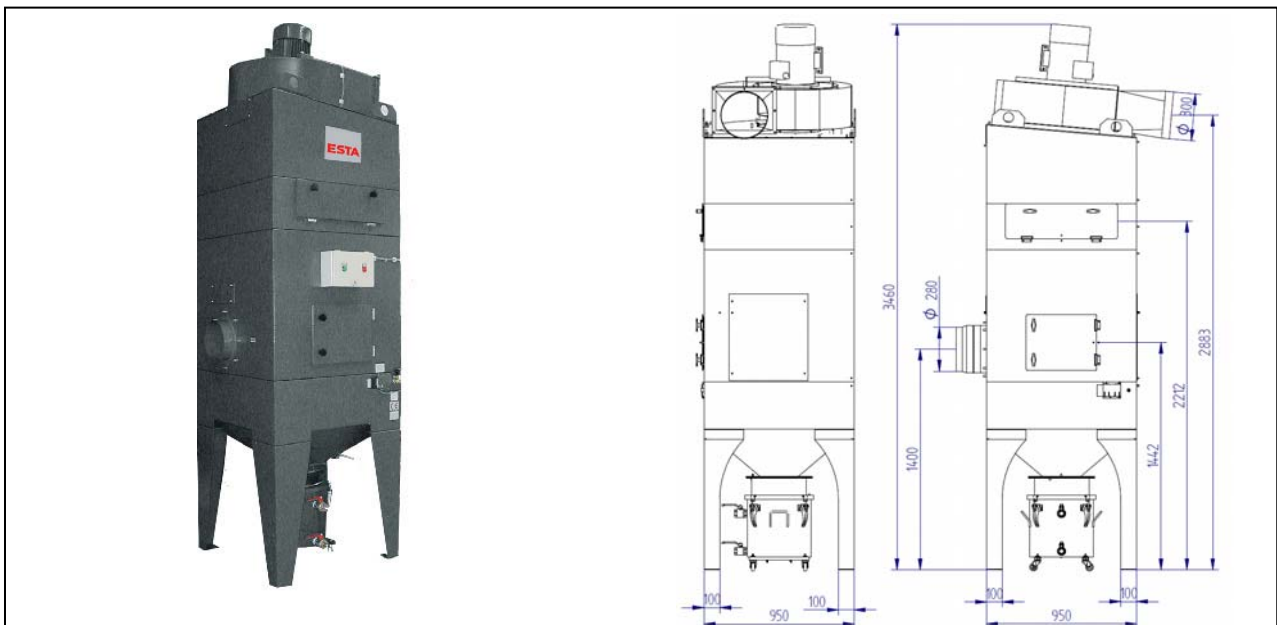


# NA-K 6000

(45.603)

Voltage	(V)	400	Water capacity	(Liter)	390
Motor	(kW)	7,5	Water connection		G ¾"
Current (400V/50Hz)	(A)	14,4	Intake / Outlet diameter	(mm)	280/300
Fuse	(A)	32	Weight (without water)	(kg)	530
max. negative pressure	(Pa)	3.600	Dust collection bin	(Liter)	50
max. airflow	(m <sup>3</sup> /h)	5.150	Dimensions (l x w x h)	(mm)	950 x 950 x 3.460



## ESTA PLUS

### Application range:

Dust extraction at individual or multiple workstations of adhesive and moistly dusts, especially metallic dusts that are sparks generating

As central exhaust station with intercepting pipe and several extraction points

### Your benefits at a glance

High suction power for adhesive and moistly dusts

Ideal solution for sparks generating applications

High filtration efficiency (ESTA efficiency guarantee)

### Characteristics:

Especially recommended for grinding applications that are generating sparks

Optional with special painting

State of the art: 45603-51-01 Subject to change without notice! For remaining questions please do not hesitate to contact us.