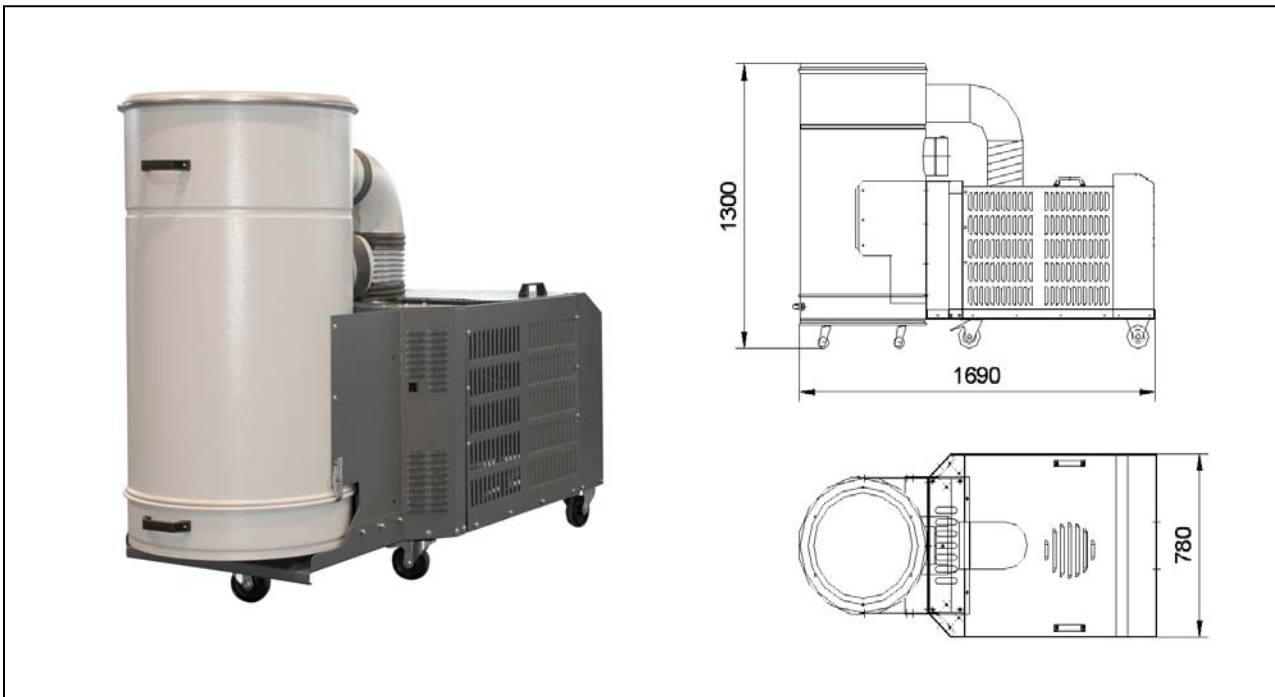


SRF SK-13.0 FM

(55.148)

| | | | | | |
|---------------------|-------------------|------|-----------------------|---------------------|---------------------|
| Voltage | (V) | 400 | Max. neg. pressure | (Pa) | 22.000 |
| Motor | (kW) | 13,0 | Max. airflow | (m ³ /h) | 1.100 |
| Filter surface | (m ²) | 15 | Weight | (kg) | 230 |
| Frequency | (Hz) | 50 | Dimension (l x w x h) | (mm) | 1.690 x 780 x 1.300 |
| Operation mode | | S1 | Filter cleaning | | manual |
| Dust collection bin | (liter) | 30 | | | |
| Intake | (mm) | 125 | | | |



ESTA PLUS

Application range:

Intermittent and continuous duty operation
Direct extraction at the welding torch
Welding extraction of non-alloy steels

Your benefits at a glance:

High suction power for direct extraction at the welding torch
Designed with side channel blower for continuous duty operation
Low operation costs through the use of cleanable long life cartridge filters of dust classification M

Characteristics:

Filter cleaning:
with compressed air pistol (manual)

Special equipment with pulse jet filter cleaning,
special painting, special voltage, exhaust air connection,
different filter material possible

State of the art: 55148-51-00 Subject to change without notice! For remaining questions please do not hesitate to contact us.