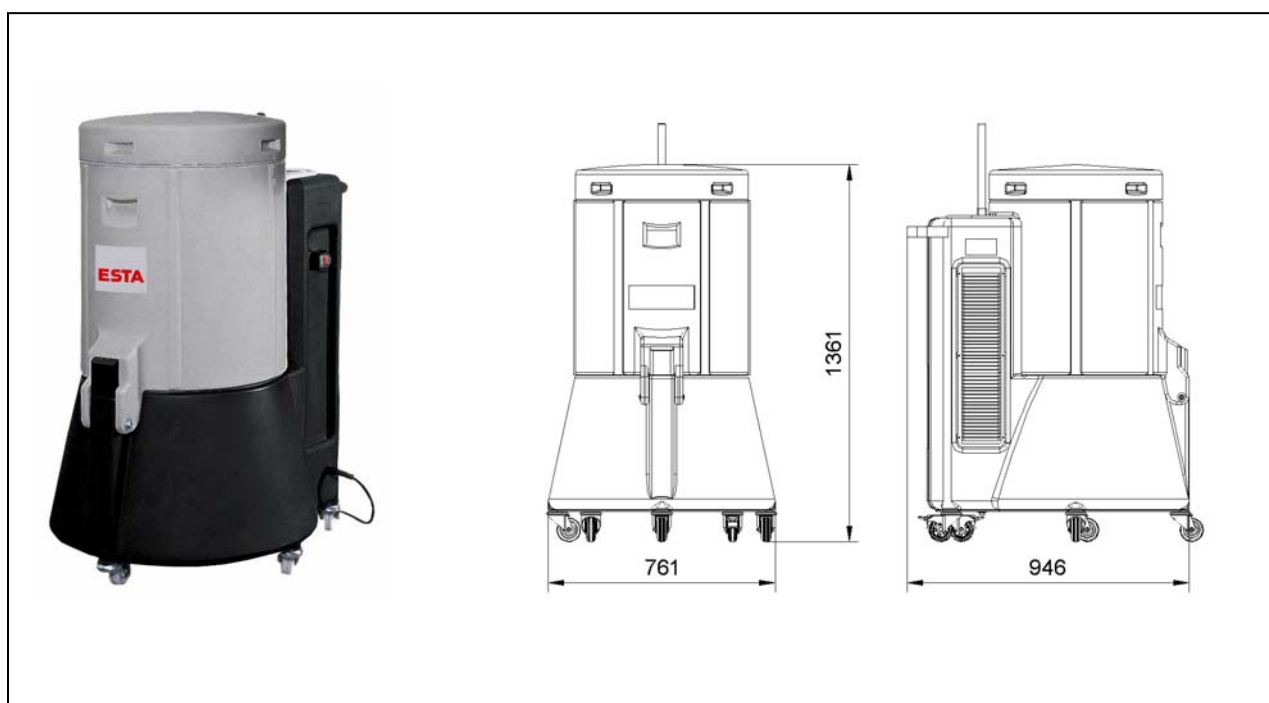


SRF K-15 BIA W3

(55.229)

Voltage	(V)	400	Max. neg. pressure	(Pa)	2.800
Motor	(kW)	2,2	Max. airflow	(m ³ /h)	1.600
Filter surface	(m ²)	18	Weight	(kg)	74
Rated frequency	(Hz)	50	Dimensions (l x w x h)	(mm)	946 x 761 x 1.361
Operation mode		S1	protection category		IP 54
Intake	(mm)	2x \varnothing 140			



ESTA PLUS

Application range:

Intermittent and continuous duty operation
Extraction of welding fumes at 2 workplaces (high-alloy steels too)
Modified for fume extraction suitable

Your benefits at a glance:

Powerful capturing of the welding fumes
Mobile for versatile use and suitable for continuous duty applications
Compact and user friendly design
Low operating costs through the use of cleanable long life cartridge filters of dust classification M
Convenient disposal of the dust

Characteristics:

Filter cleaning with compressed air gun (manually)

BIA Test Certificate W3

Special equipment with automatic cleaning, manual rotating cleaning, special voltage, automatic attempt via optical sensor, attempt via start and stop contactor at the extraction cap or at the extraction arm, AC motor, active carbon filter, exhaust air connection, automatic attempt via clamp forceps possible

State of the art: 55229-51-00 Subject to change without notice! For remaining questions please do not hesitate to contact us.