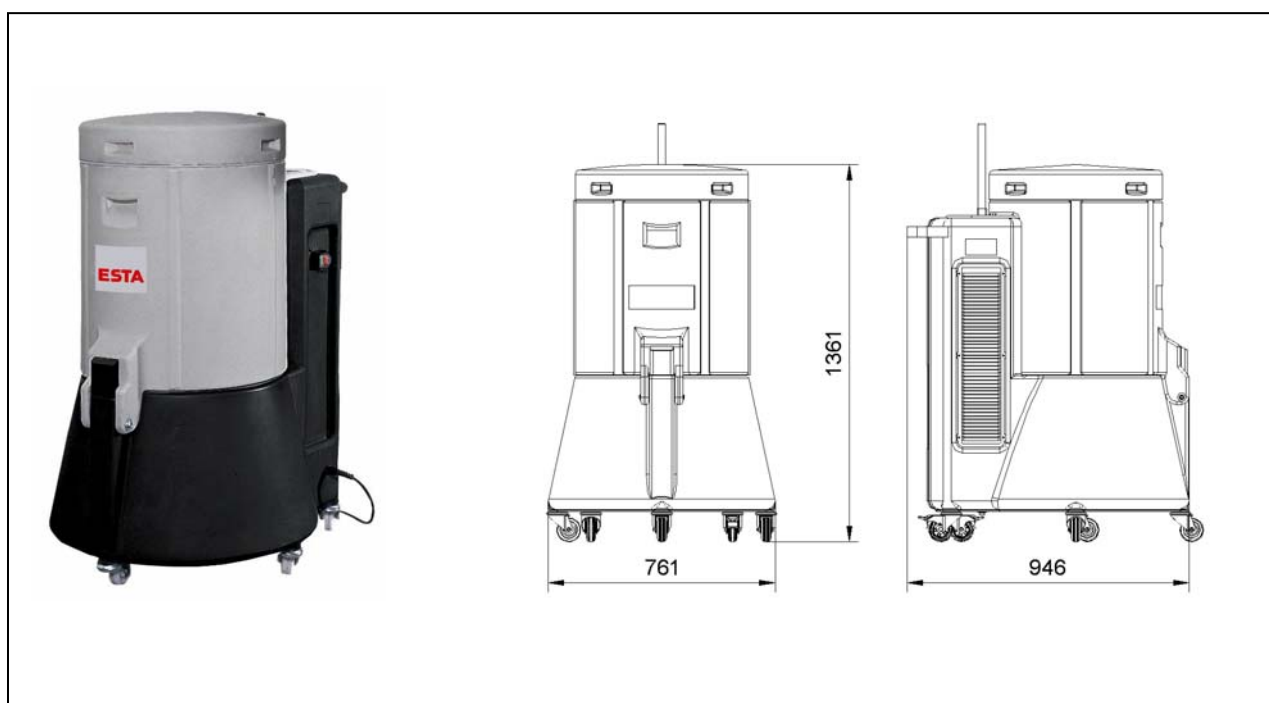


# SRF K-10 BIA W3

(55.235)

Voltage	(V)	230	Max. neg. pressure	(Pa)	2.800
Motor	(kW)	1,3	Max. airflow	(m³/h)	950
Filter surface	(m²)	18	Weight	(kg)	69
Rated frequency	(Hz)	50	Dimensions (l x w x h)	(mm)	946 x 761 x 1.361
Operation mode		S3	protection category		IP 54
Intake	(mm)	140			



## ESTA PLUS

### Application range:

Intermittent and continuous duty operation  
Extraction of welding fumes (high-alloy steels too)  
Modified for fume extraction suitable

### Your benefits at a glance:

Powerful capturing of the welding fumes  
Mobile for versatile use and suitable for continuous duty applications  
Compact and user friendly design  
Low operating costs through the use of cleanable long life cartridge filters of dust classification M  
Convenient disposal of the dust

### Characteristics:

Filter cleaning with compressed air gun (manually)

BIA Test Certificate W3

Special equipment with automatic cleaning, manual rotating cleaning, special voltage, automatic attempt via optical sensor, attempt via start and stop contactor at the extraction cap or at the extraction arm, AC motor, active carbon filter, exhaust air connection, automatic attempt via clamp forceps possible

State of the art: 55235-51-00 Subject to change without notice! For remaining questions please do not hesitate to contact us.