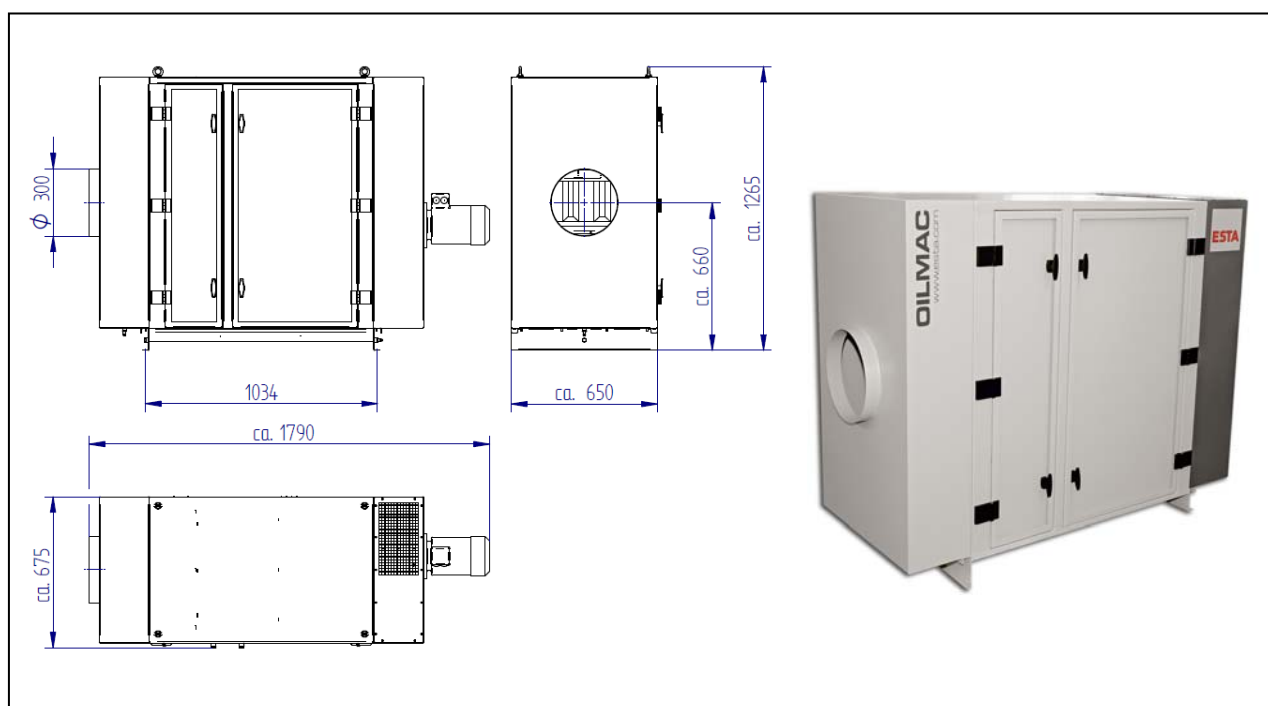


# OILMAC 3000

(56.203)

Motor	(kW)	2,2	max. airflow	(m <sup>3</sup> /h)	3.300
Voltage	(V)	400	Sound level	(dBA)	74
Rated frequency	(Hz)	50	Weight	(kg)	ca. 220
Intake $\varnothing$	(mm)	300	Dimensions (l x w x h)	(mm)	1.790x650x1.265



## ESTA PLUS

### Application range:

Extraction of oil and emulsion mist  
Minimal lubrication mist and smoke

### Your benefits at a glance:

Compact unit for the extraction of oil and emulsion mist  
Easy installation on top of the processing machine  
Three power ratings available  
Multi-filter system

### Characteristics:

Mechanical filtration  
With postfilter H13 for recirculation mode

### Modification:

With motor protection switch  
With potential free contact  
With special voltages  
With special painting

State of the art: 56203-51-01 Subject to change without notice! For remaining questions please do not hesitate to contact us.