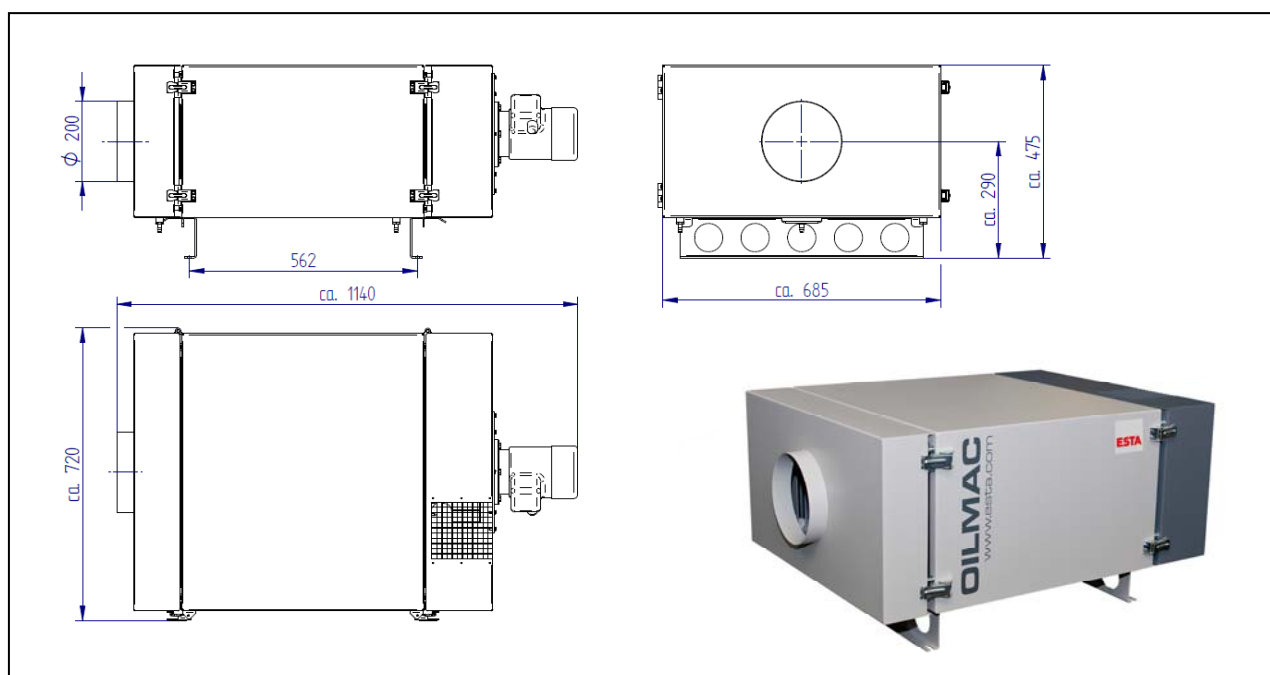


OILMAC 800

(56.201)

Motor	(kW)	0,55	max. airflow	(m ³ /h)	840
Voltage	(V)	400	Sound level	(dBA)	69
Rated frequency	(Hz)	50	Weight	(kg)	ca. 80
Intake \varnothing	(mm)	200	Dimensions (l x w x h)	(mm)	1.140x685x475



ESTA PLUS

Application range:

Extraction of oil and emulsion mist
Minimal lubrication mist and smoke

Your benefits at a glance:

Compact unit for the extraction of oil and emulsion mist
Easy installation on top of the processing machine
Three power ratings available
Multi-filter system

Characteristics:

Mechanical filtration
With postfilter knitted wire mesh for recirculation mode

Modification:

With motor protection switch
With potential free contact
With special voltages
With exhaust air connection
With special painting
Mobile on wheels
With stand for adjacent installation

State of the art: 56201-51-00 Subject to change without notice! For remaining questions please do not hesitate to contact us.