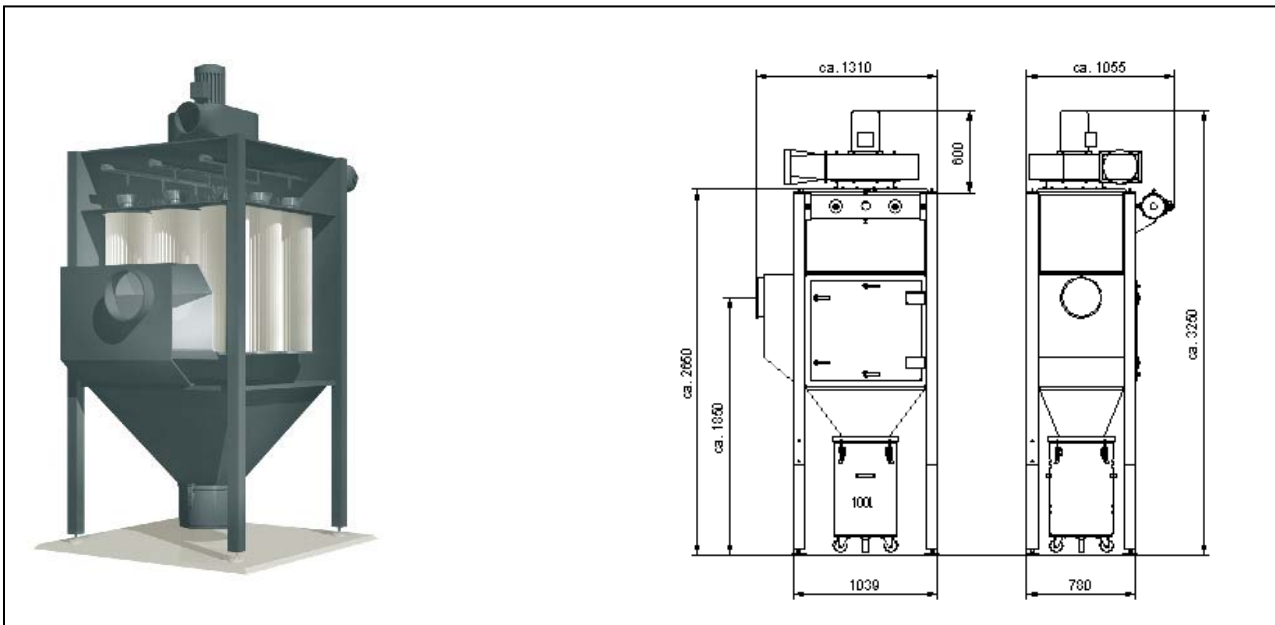


DUSTMAC P-20

(661.020)

| | | | | | |
|----------------------|---------------------|-------|-----------------------------|---------------------------------|----------------|
| Voltage | (V) | 400 | Filter surface | (m ²) | 20 |
| Motor | (kW) | 2,2 | No. of filter elements | (pc) | 2 |
| Ampere (400V/50Hz) | (A) | 4,6 | Filter material | dust classification "M" antist. | |
| Rated Frequency | (Hz) | 50 | Weight | (kg) | 430 |
| Fuse | (A) | 16 | Intake | (mm) | 160 |
| Max. neg. pressure | (Pa) | 2.000 | Clean air discharge | (mm) | 280 |
| Max. airflow | (m ³ /h) | 2.600 | Dimensions (l x w x h) (mm) | 1.310 x 1.055x 3.250 | |
| No. of magnet valves | (pc) | 2 | Dust collection bin | (litre) | 100 |
| Sound power level | (dB) | 67 | Compressed air | (l/min) | (at 6 bar) 111 |



ESTA PLUS

Application range:

Central systems with multiple extraction locations at dust-producing machines
For the extraction of dry, free flowing, non-explosive dust

Your benefits at a glance

Modular for future expansion
Customized design by ESTA personnel

Characteristics:

Pulse-jet filter cleaning system
Cleanable long life cartridge filters of dust classification M

Special equipment:

- with special painting

State of the art: 661020-51-02 Subject to change without notice! For remaining questions please do not hesitate to contact us.