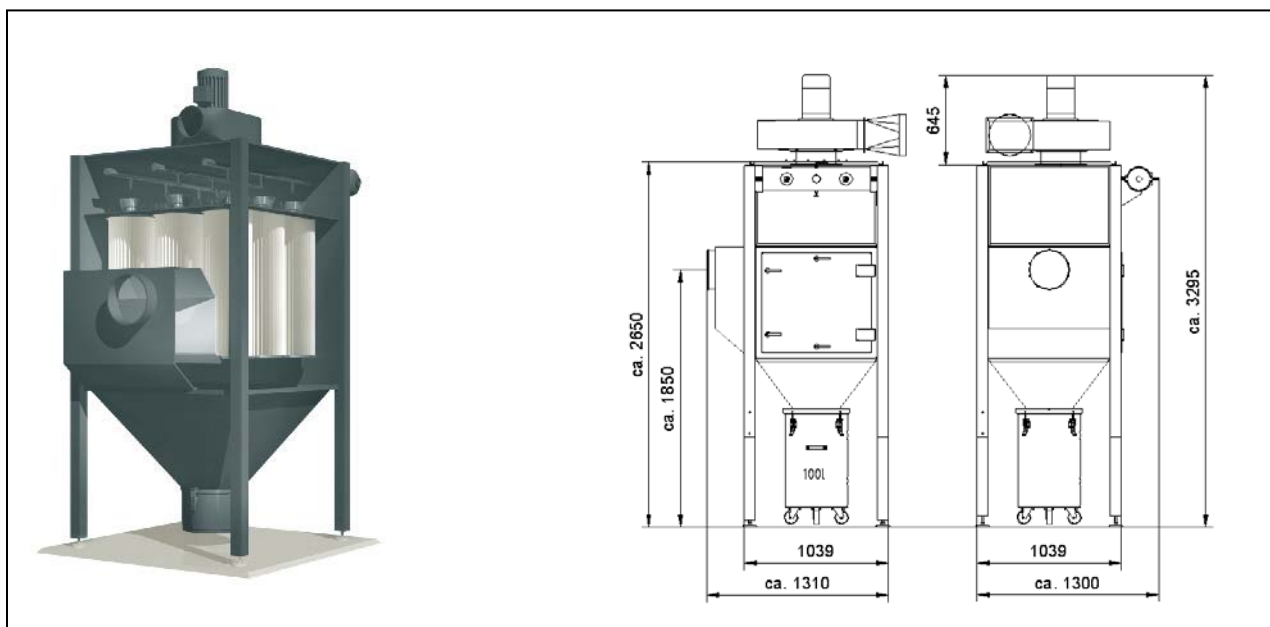


DUSTMAC P-40

(661.040)

Voltage	(V)	400	Filter surface	(m ²)	40
Motor	(kW)	4	No. of filter elements	(pc)	4
Ampere (400V/50Hz)	(A)	4,5	Filter material	dust classification "M" antist.	
Rated Frequency	(Hz)	50	Weight	(kg)	470
Fuse	(A)	16	Intake	(mm)	224
Max. neg. pressure	(Pa)	3.200	Clean air discharge	(mm)	355
Max. airflow	(m ³ /h)	4.500	Dimension (l x w x h)	(mm)	1.310 x 1.300 x 3.295
No. of magnet valves	(pc)	2	Dust collection bin	(litre)	100
Sound power level	(dB)	73	Compressed air	(l/min)	(at 6 bar) 111



ESTA PLUS

Application range:

Central systems with multiple extraction locations at dust-producing machines
For the extraction of dry, free flowing, non-explosive dust

Your benefits at a glance

Modular for future expansion
Customized design by ESTA personnel

Characteristics:

Pulse-jet filter cleaning system
Cleanable long life cartridge filters of dust classification M

Special equipment:

- with special painting

State of the art: 661040-51-02 Subject to change without notice! For remaining questions please do not hesitate to contact us.