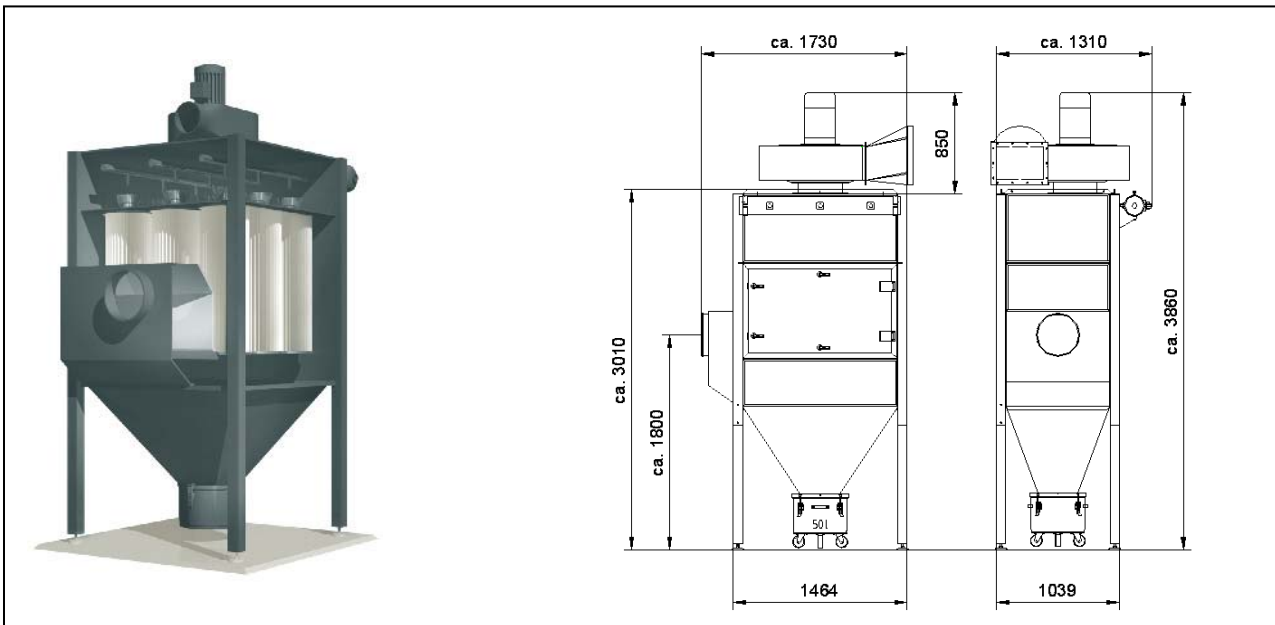


DUSTMAC F-126

(663.126)

Voltage	(V)	400	Filter surface	(m ²)	126
Motor	(kW)	11	No. of filter elements	(pc)	6
Ampere (400V/50Hz)	(A)	20,2	Filter material	dust classification M antist.	
Rated Frequency	(Hz)	50	Weight	(kg)	740
Fuse	(A)	25	Intake	(mm)	355
Max. neg. pressure	(Pa)	4,400	Clean air discharge	(mm)	500
Max. airflow	(m ³ /h)	10,300	Dimensions (l x w x h)	(mm)	1,730 x 1,310 x 3,860
No. of magnet valves	(pc)	3	Dust collection bin	(litre)	50
Sound power level	(dB)	85	Compressed air	(l/min)	(at 6 bar) 159,6



ESTA PLUS

Application range:

Central systems with multiple extraction locations
Large extraction hoods or cells, e.g. robotic welding stations
Low and high-alloy steels and dust

Your benefits at a glance

High performance welding fume extraction from multiple locations, from welding cells or from large extraction hoods
Application specific design of the system
Modular for future expansion
Low operating costs with cleanable long life filter cartridges

Characteristics:

Pulse-jet filter cleaning system
Cleanable long life cartridge filters of dust classification M, antistatic

Special equipment with different filter cartridges,
special voltage, special painting
pre-separator possible

State of the art: 663126-51-00 Subject to change without notice! For remaining questions please do not hesitate to contact us.