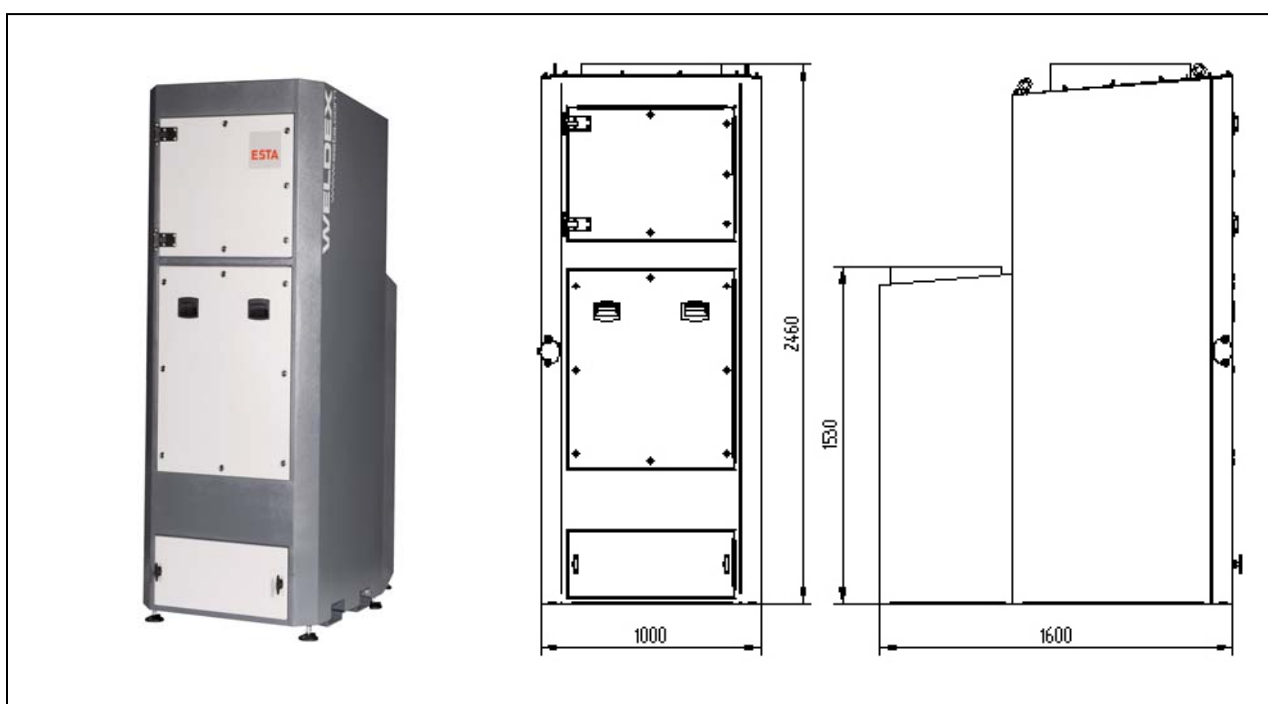


WELDEX FE-50

(666.050)

Filter surface (m ²)	50	Clean air discharge (mm)	315
No. of filter elements (pc)	2	Dimensions (l x w x h) (mm)	1.000 x 1.600 x 2.460
Filter material	Polyester M antistatic	Dust collection bin (Liter)	60
Weight (kg)	ca. 480	Compressed air connection (inch)	¼"
Intake (mm)	300		



ESTA PLUS

Application Range:

Modular construction of a welding fume central filter unit
Extraction in cutting installations, welding fume booths, etc.

Your Benefits at a Glance:

The dimensions of the construction can be adjusted by the modular design for each application
Modular for future expansion
Low operating costs with cleanable long life filter cartridges
Simple dust-free cleanout of the dust collection drawer

Special Features:

Implementation of a great diversity air mass and filter area requirements,
Optional fan available in a noise-and/or weather-insulated housing,
System can optionally be delivered for outdoor set up

State of the art: 666050-51-02 Subject to change without notice! For remaining questions please do not hesitate to contact us.