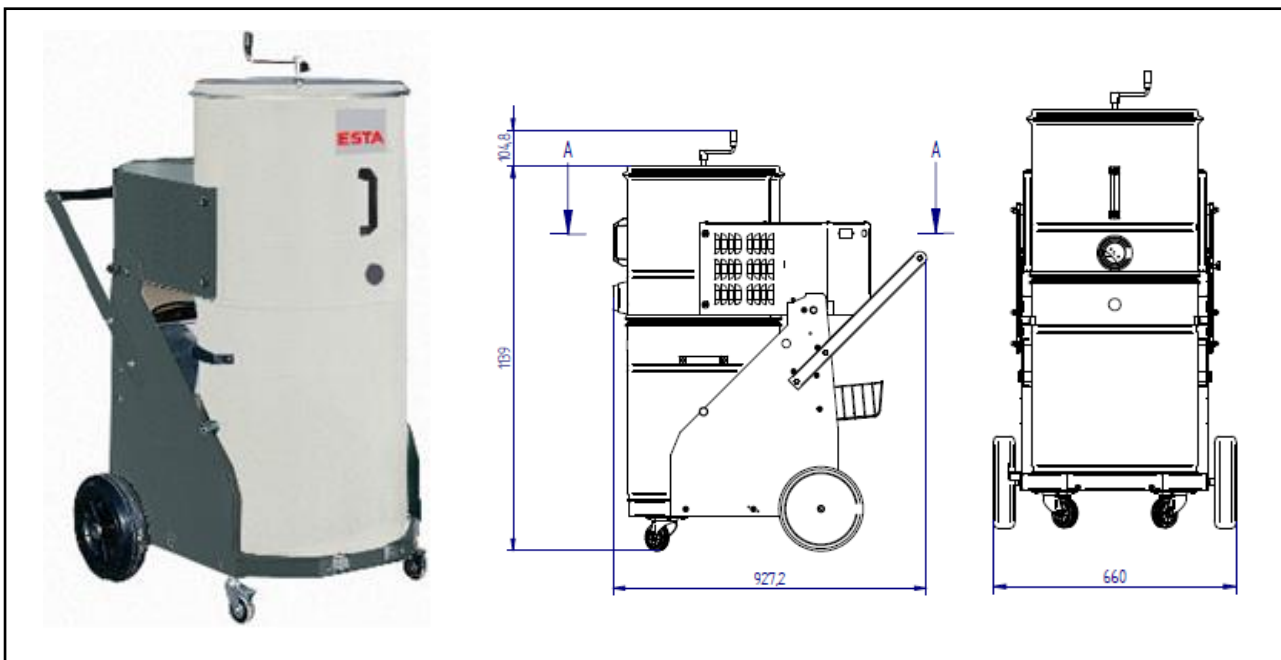


EUROSOG-W/N

(80.198)

Voltage	(V)	230	Filter surface pre-filter,,M“	(m ²)	2
Motor	(kW)	3 x 1,0	Filter surface main filter	(m ²)	2
Current	(A)	13	Filter cleaning		manuell
Rated frequency	(Hz)	50	Weight	(kg)	74
Fuse	(A)	16	Intake	(mm)	50
Max. neg. pressure	(Pa)	18.600	Dust collection bin	(Liter)	80
Max. airflow	(m ³ /h)	360	Dimension (l x w x h)	(mm)	927 x 660 x 1.139
Sound level	(dBA)	74			



ESTA PLUS

Application range:

Removal of coarse and fine dust during cleaning works

Your benefits at a glance:

Powerful industrial vacuum cleaner for dry, pourable types of dust

Tight and easy-to-handle design

Easy disposal of the dust collection bag

Great range of products of accessories for the vacuum cleaner

Characteristics:

Filter cleaning: manual brush cleaning

Cleanable long life cartridge filters (dust classification M)

Patented tiltable filter housing

Alternating current device

Test Certificate: dust classification "M"

Modification:

With different filter cartridges

Special voltage, Special painting, Mobile dust collection bin, Installation of a pre-separator possible

State of the art: 80198-51-01 Subject to change without notice! For remaining questions please do not hesitate to contact us..