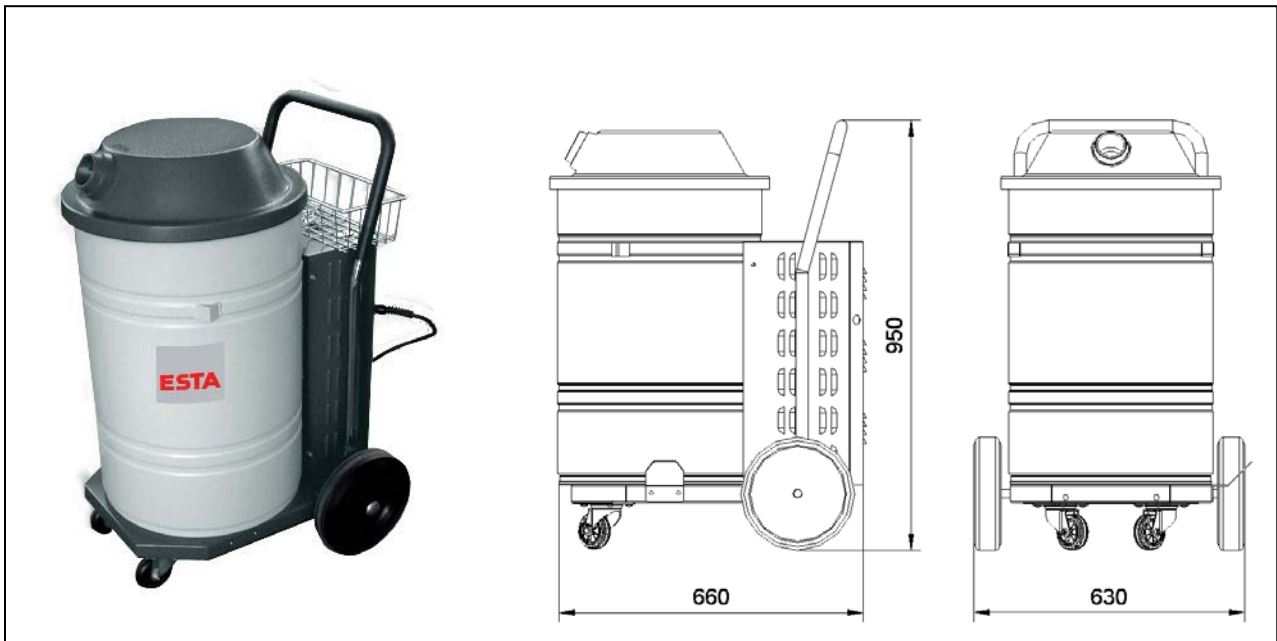


DUROSOG-W/M

(8024M)

Voltage	(V)	230	Filter surface pre-filter "M"	(m ²)	3
Motor	(kW)	3 x 1,0	No. of filter elements	(pc)	1
Current	(A)	13	Filter material	dust classification "M"	
Rated frequency	(Hz)	50	Weight	(kg)	41
Fuse	(A)	16	Intake	(mm)	50
Max. neg. pressure	(Pa)	22.000	Dust collection bin	(liter)	70
Max. airflow	(m ³ /h)	350	Dimensions (L x W x H)	(mm)	660 x 630 x 950



ESTA PLUS

Application range:

For sticky substances and dust that tends to clump
Removal of dusts that are hazardous to health

Your benefits at a glance:

With the use of special filtration technology this model is suitable for dry dust, sticky dust and dust that tends to clump
Tight and easy-to-handle design
Convenient dust disposal in a paper filter bag

Characteristics:

Equipped with pre-separator, paper filter bag, cloth filter bag and long life cartridge filter (dust classification M)
3 x suction turbine with 230 Volt

Test Certificate: dust classification "M"

Modification:

Special voltage
Special painting
Installation of a pre-separator possible

State of the art: 8024M-51-00 Subject to change without notice! For remaining questions please do not hesitate to contact us.