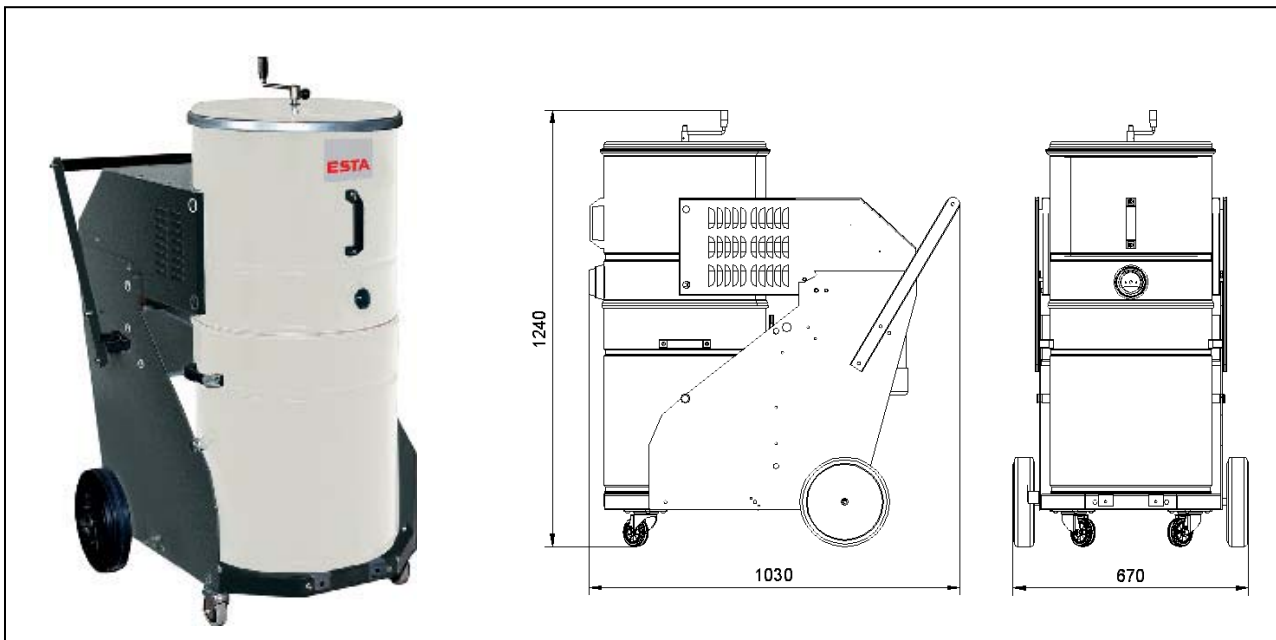


# EUROSOG-I-D ATEX

(81.200)

Voltage	(V)	400	Filter surface	(m <sup>2</sup> )	2
Motor	(kW)	2,2	No. of filter elements	(Stück)	1
Ampere	(A)	4,6	Filter material	dust classification "M"	
Rated frequency	(Hz)	50	Filter cleaning	manually	
Fuse	(A)	16	Weight	(kg)	81
Max. neg. pressure	(Pa)	20.000	Intake	(mm)	50
Max. airflow	(m <sup>3</sup> /h)	300	Dust collection bin	(liter)	80
			Dimensions (L x W x H)	(mm)	1.030 x 670 x 1.240



## ESTA PLUS

### Application range:

Cleaning work  
Removal of coarse and fine, non-conductive dusts up to + 135°C in zone 22

### Your benefits at a glance:

Powerful industrial vacuum cleaner for dry, pourable types of dust  
Tight and easy-to-handle design  
Easy disposal of the dust collection bag  
Great range of products of accessories for the vacuum cleaner

### Characteristics:

Filter cleaning: manual brush cleaning  
Cleanable long life cartridge filters (dust classification M)  
Patented tiltable filter housing  
Three-phase device  
Suitable for use in Zone 22 and for disposal of non-conductive dusts up to + 135°C

### Modification:

Special voltage  
Special painting  
Mobile dust collection bin  
Installation of a pre-separator possible

State of the art: : 81200-51-00 Subject to change without notice! For remaining questions please do not hesitate to contact us.