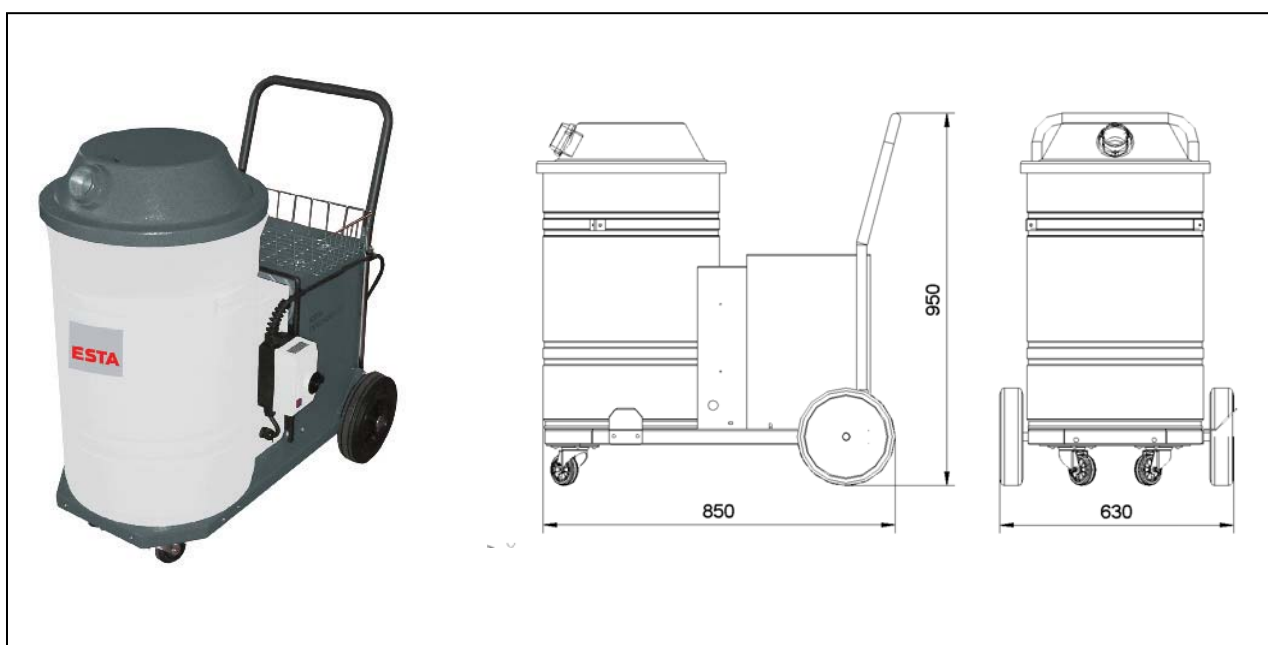


# DUROSOG I-D/N

(8120N)

Voltage	(V)	400	Max. neg. pressure	(Pa)	22.000
Motor	(kW)	2,2	Max. airflow	(m <sup>3</sup> /h)	275
Ampere	(A)	4,5	Weight	(kg)	80
Rated frequency	(Hz)	50	Intake	(mm)	50
Fuse	(A)	16	Dust collection bin	(liter)	70
			Dimensions (L x W x H)	(mm)	850 x 630 x 950



## ESTA PLUS

### Application range:

For sticky substances and dust that tends to clump

### Your benefits at a glance:

With the use of special filtration technology this model is suitable for dry dust, sticky dust and dust that tends to clump  
Tight and easy-to-handle design  
Convenient dust disposal in a paper filter bag

### Characteristics:

Equipped with pre-separator, paper filter bag, cloth filter bag  
Three-phase device

### Modification:

Special voltage  
Special painting  
Installation of a pre-separator possible

State of the art: 8120N-51-00 Subject to change without notice! For remaining questions please do not hesitate to contact us.