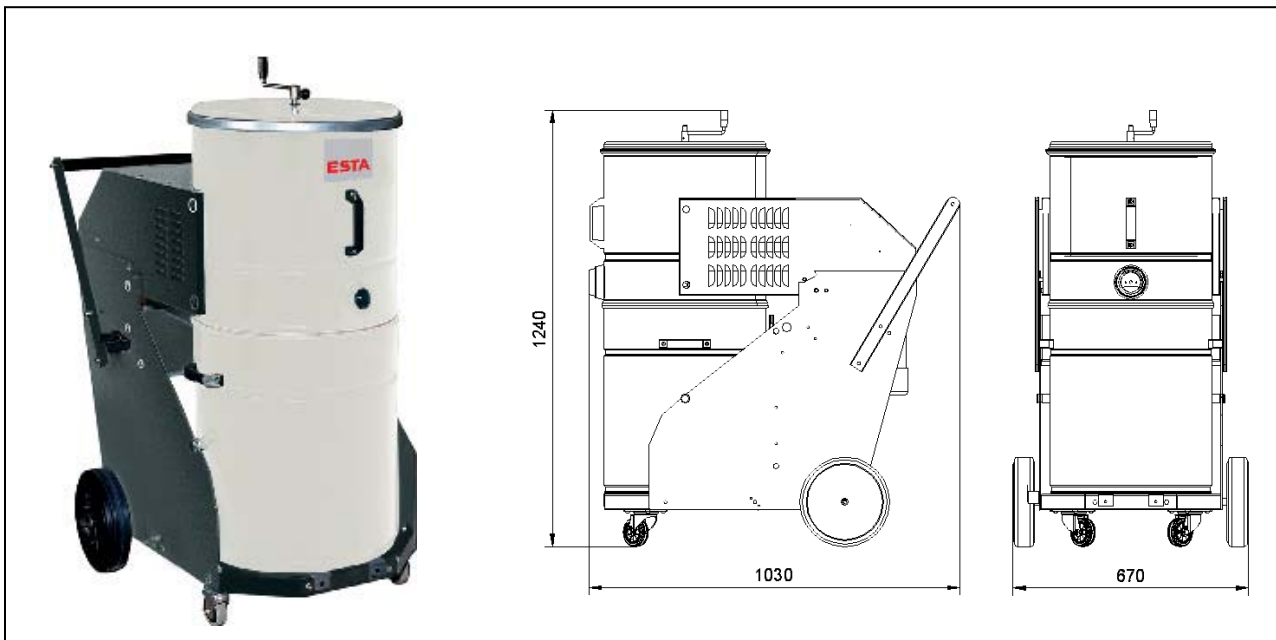


EUROSOG I-D/H/B1

(81.297)

Voltage	(V)	400	Filter surface pre-filter "M"	(m ²)	2
Motor	(kW)	2,2	Filter surface main filter "H"	(m ²)	5
Ampere	(A)	4,5	Filter material	dust classification "H"	
Rated frequency	(Hz)	50	Filter cleaning	manually	
Fuse	(A)	16	Weight	(kg)	81
Max. neg. pressure	(Pa)	19.500	Intake	(mm)	50
Max. airflow	(m ³ /h)	260	Dust collection bin	(liter)	80
			Dimensions (L x W x H)	(mm)	1.050 x 670 x 1.240



ESTA PLUS

Application range:

Removal of coarse and fine, non-conductive dusts during cleaning works including dusts that are hazardous to health

Your benefits at a glance:

Powerful industrial vacuum cleaner for dry, pourable types of dust
Tight and easy-to-handle design
Easy disposal of the dust collection bag
Great range of products of accessories for the vacuum cleaner

Characteristics:

Filter cleaning: manual brush cleaning
Cleanable long life cartridge filters (dust classification M)
Patented tiltable filter housing
Three-phase device
Test Certificate "H" and additional test "Zone 22"

Modification:

with different filter cartridges
Special voltage
Special painting
Mobile dust collection bin
Installation of a pre-separator possible

State of the art : 81297-51-01 Subject to change without notice! For remaining questions please do not hesitate to contact us.