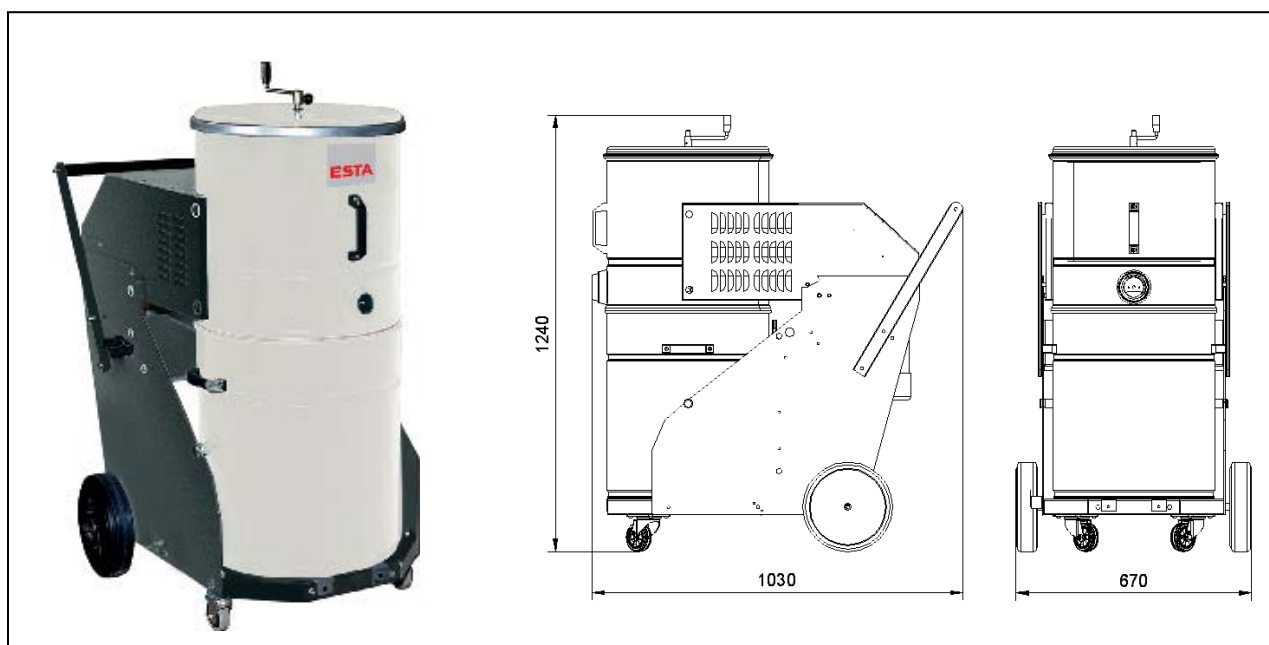


EUROSOG I-D/M/B1

(81.397)

Voltage	(V)	400	Filter surface	(m ²)	2
Motor	(kW)	2,2	Filter material	dust classification "M"	
Ampere	(A)	4,5	Filter cleaning	(m ²)	manually
Rated frequency	(Hz)	50	Weight	(kg)	81
Fuse	(A)	16	Intake	(mm)	50
Max. neg. pressure	(Pa)	20.000	Dust collection bin	(liter)	80
Max. airflow	(m ³ /h)	260	Dimensions (L x W x H)	(mm)	1.050 x 670 x 1.240



ESTA PLUS

Application range:

Removal of coarse and fine, non-conductive dusts during cleaning works including dusts that are hazardous to health

Your benefits at a glance:

Powerful industrial vacuum cleaner for dry, pourable types of dust
Tight and easy-to-handle design
Easy disposal of the dust collection bag
Great range of products of accessories for the vacuum cleaner

Characteristics:

Filter cleaning: manual brush cleaning
Cleanable long life cartridge filters (dust classification M)
Patented tiltable filter housing
Three-phase device
Test Certificate "M" and additional test "Zone 22"

Modification:

with different filter cartridges
Special voltage
Special painting
Mobile dust collection bin
Installation of a pre-separator possible

State of the art: : 81397-51-01 Subject to change without notice! For remaining questions please do not hesitate to contact us.