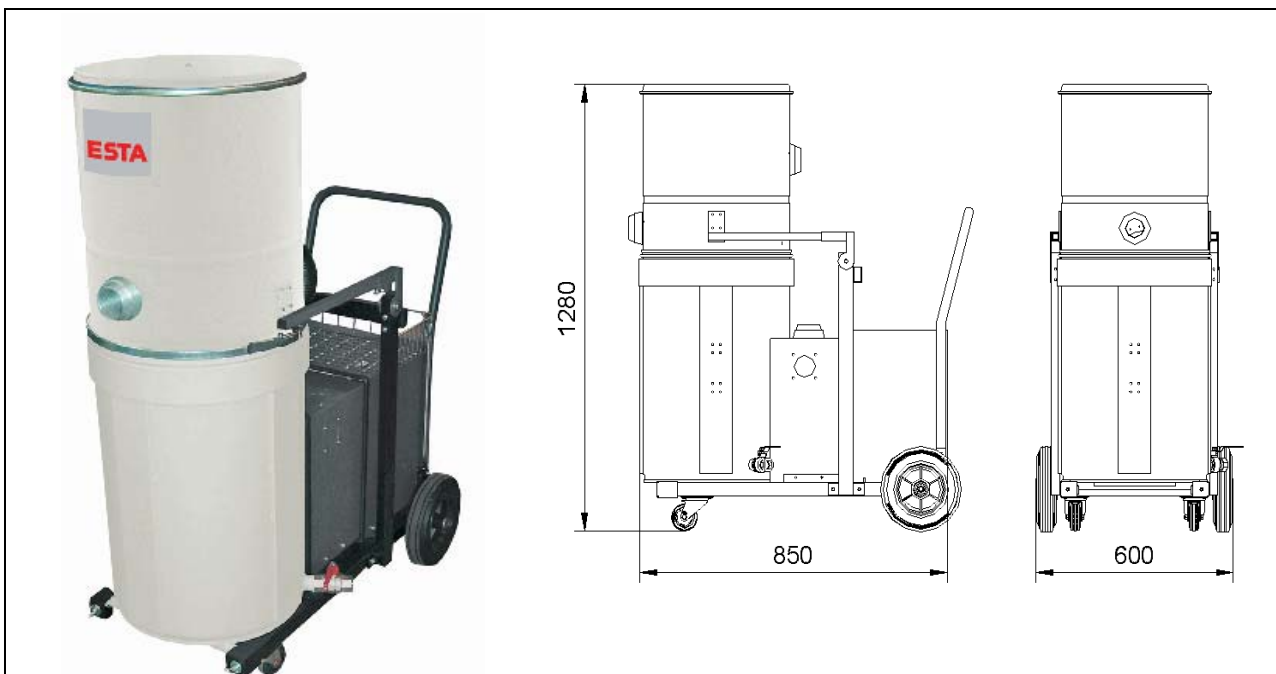


# SPÄNESOG-S

(8150)

Voltage	(V)	400	Filter surface	(m <sup>2</sup> )	4,2
Motor	(kW)	2,2	No. of filter elements	(pc)	1
Ampere	(A)	4,5	Filter material	oil and water resistant	
Rated frequency	(Hz)	50	Weight	(kg)	90
Fuse	(A)	16	Intake	(mm)	50
Max. neg. pressure inlet	(Pa)	20.000	Dust collection container	(liter)	100
Max. airflow	(m <sup>3</sup> /h)	300	Dimensions (L x W x H)	(mm)	850 x 600 x 1.280



## ESTA PLUS

**Application range:**

Removal of metal shavings with coolants

**Your benefits at a glance:**

Specialized industrial vacuum cleaner for metal shavings and emulsion coated materials

Compact and user friendly design

Washable oil and water resistant filter cartridge

**Characteristics:**

Washable oil and water resistant filter cartridge

**Modification:**

Special voltage

Special painting

Installation of a pre-separator possible

**State of the art: 8150-51-00** Subject to change without notice! For remaining questions please do not hesitate to contact us.