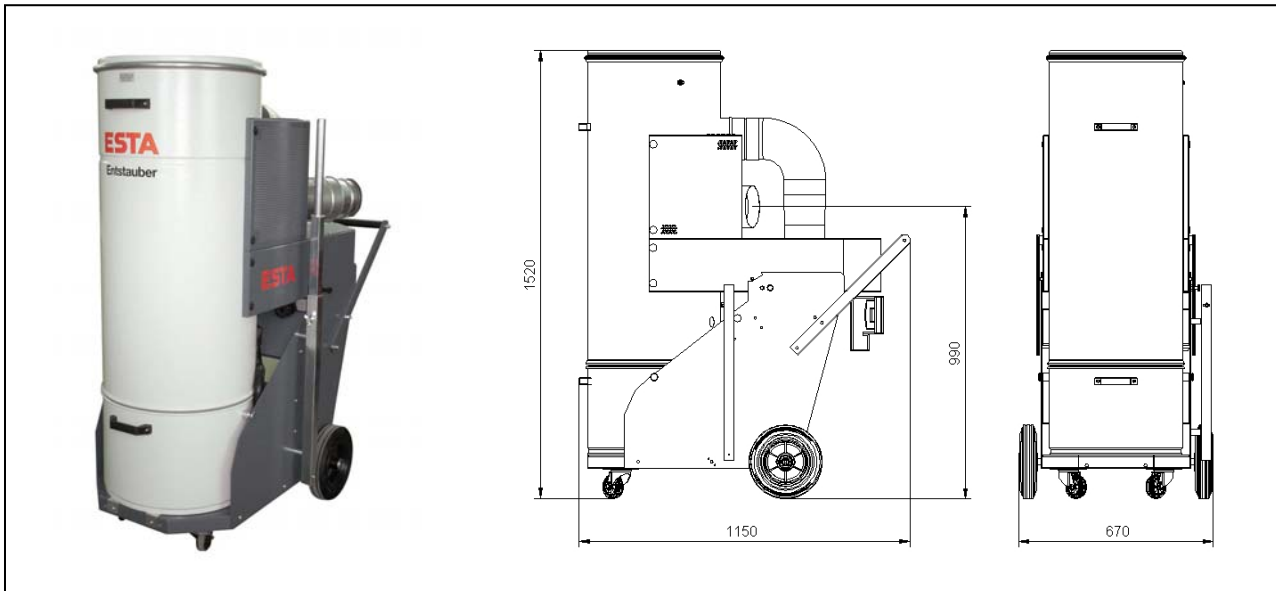


DUSTOMAT-16M / 400 V

(09.422)

Voltage	(V)	400	Filter surface	(m ²)	9.4
Motor	(kW)	1,1	No. of filter elements	(pc)	1
Ampere	(A)	2,39	Filter material		Polyester „M“
Rated frequency	(Hz)	50	Filter cleaning		automatic Jet
Fuse	(A)	16	Weight	(kg)	120
Max. neg. pressure	(Pa)	2.000	Intake	(mm)	125
Max. airflow	(m ³ /h)	1.140	Dust collection bin	(Liter)	45
Comp. air connection	(inch)	¼"	Dimensions (l x w x h)	(mm)	1.150 x 670 x 1.520
Sound level	(dB (A))	73			



ESTA PLUS

Application range:

Dust extraction at individual workstations or machines
Pourable dust including hazardous types of dust

Your benefits at a glance

Low operating costs resulting from cleanable long life filter cartridges
Mobility combined with high extraction performance
Tilt-back filter housings for easy dust disposal
Suitable for most types of dust
Optional test certificate for specialized applications

Characteristics:

Automatic filter cleaning method: Pulse Jet
Cleanable long life cartridge filter (dust classification M)

Equipped with volume stream control and acoustic signal transmitter

Special equipment with different filter cartridges, special voltage, special painting

State of the art: 09422-51-02 Subject to change without notice! For remaining questions please do not hesitate to contact us.