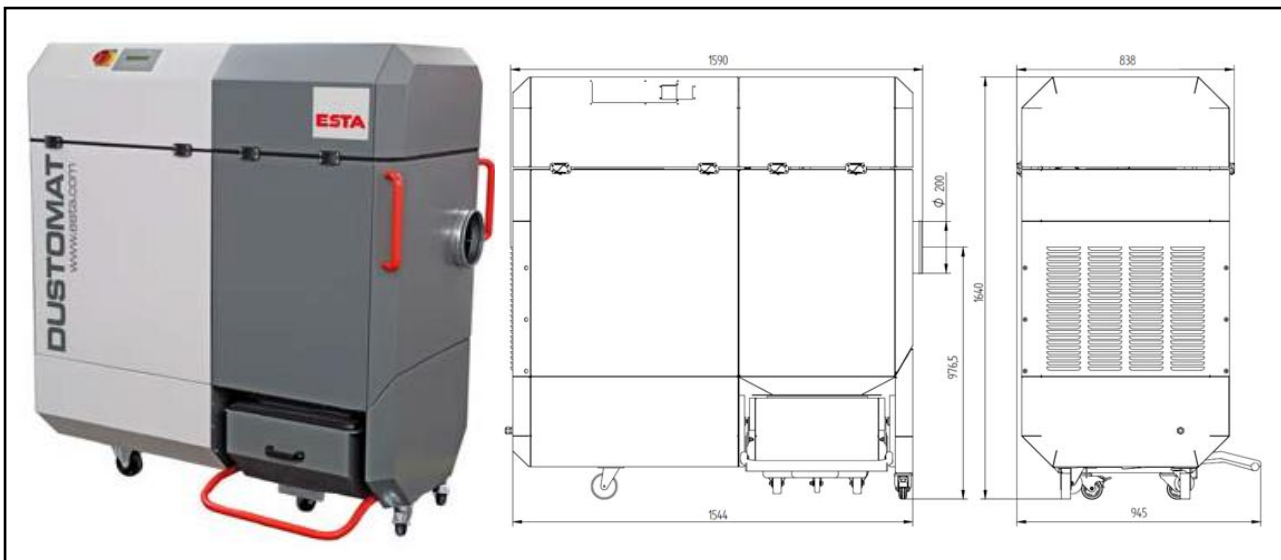


DUSTOMAT 4-24

(09.760)

Voltage	(V)	400	Filter surface	(m ²)	24
Motor	(kW)	4.0	No. of filter elements	(pc)	2
Rated frequency	(Hz)	50	Filter cleaning	Jet cleaning system	
Fuse	(A)	16	Weight	(kg)	280
Intake	(mm)	200	Dust collection bin	(liter)	38
max. neg. pressure	(Pa)	3,600	Dimension (L x W x H)	(mm)	1,590 x 945 x 1,640
max. air flow	(m ³ /h)	3,300	Comp. air requirement	(l/impuls)	approx. 19
Sound level	dB(A)	73	Comp. air connection	(bar)	4 – 6

*at 4 bar with valve opening 0,12 sec



ESTA PLUS

Application range:

- Dust extraction at individual or multiple workstations or
- machines in industrial plants or smaller shops
- Pourable dust
- Dry chips

Your benefits at a glance

- All-purpose for dust and shavings
- Compact and powerful
- Low operating costs
- Convenient dust disposal
- Extremely quiet operation
- Test certificate for special application
- New innovative cabinet design, therefore providing a small footprint

Characteristics:

- Pulse-jet filter cleaning system
- Cleanable long life cartridge filters (dust classification M)
- Integrated impact separator
- Mobile dust collection drawer for easy disposal
- Total capacity dust collection bin ~90 l
- Mobile on rolls

Custom design/optional:

- stationary
- ATEX-Modification
- with Backup filter cassette (dust class H)
- with floating contact

State of the art: 09760-51-01 Subject to change without notice! For remaining questions, please do not hesitate to contact us.

ESTA Apparatebau GmbH & Co. KG

Phone +49 7307 804-0

Gotenstraße 2 – 6

Fax +49 7307 804-500

89250 Senden / GERMANY

E-Mail info@esta.com

www.esta.com