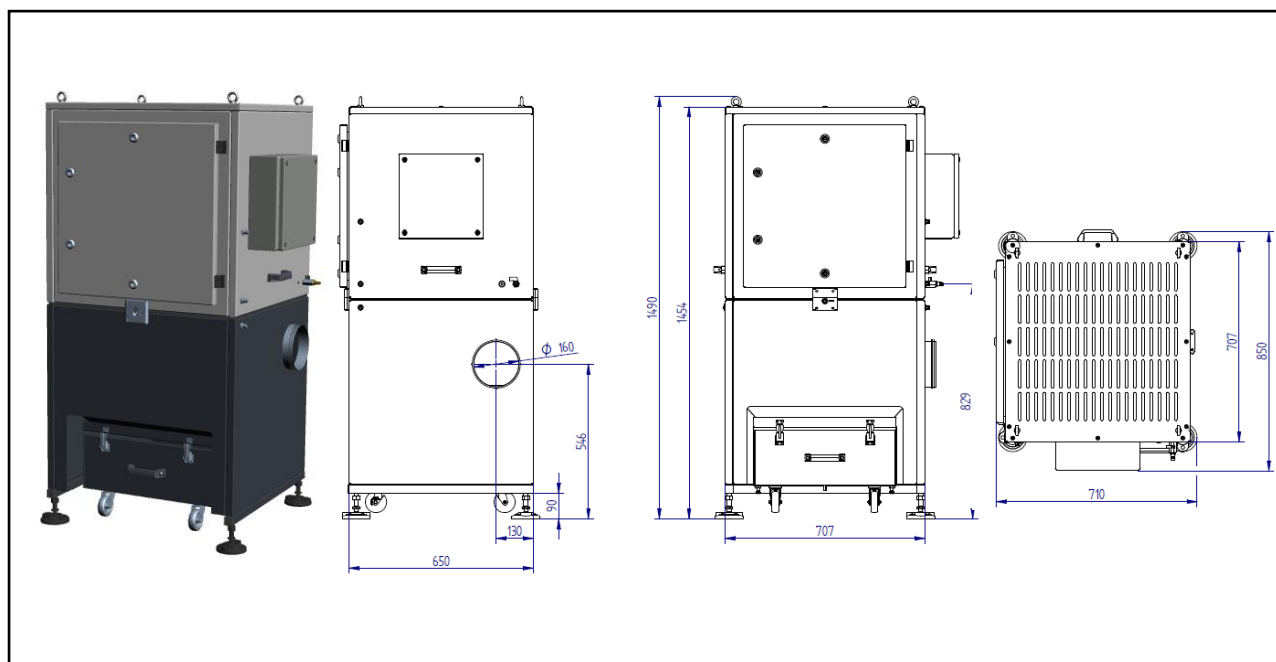


ESTMAC D-1500

(09.9150)

Voltage	(V)	400	Filter surface	(m ²)	7,5
Motor	(kW)	1,1	No. of filter elements	(piece)	1
Rated frequency	(Hz)	50	Filter material	Dust class „M“	
Fuse	(A)	C16	Filter cleaning	Rotation- cleaning	
Intake port	(mm)	160	Collection bin	(Liter)	40
max. air flow	(m ³ /h)	1.500	Dimensions (L x W x H)	(mm)	650 x 707 x 1.490
max. neg. pressure	(Pa)	2.040	Compressed air connection	(bar)	4-6
Sound level	(dBA)	71,3	Weight	(Kg)	170



ESTA PLUS

Application range:

- Dust extraction at individual or multiple workstations or machines in industrial plants or smaller shops
- Dry and pourable dusts

Your benefits at a glance:

- All-prupose for dust and shavings
- Compact and powerful
- Convenient dust disposal
- Extremely quiet operation
- Low operating costs

Characteristics:

- Filter cleaning method: manual rotation , with cleanable long life cartridge filters (dust classification M)
- Mobile dust collection drawer for easy disposal
- stationary

Options:

- Tipping device for easy maintenance
- Special painting RAL
- Activated carbon filter

State of the art99150-51-02 Subject to change without notice! For remaining questions, please do not hesitate to contact us..