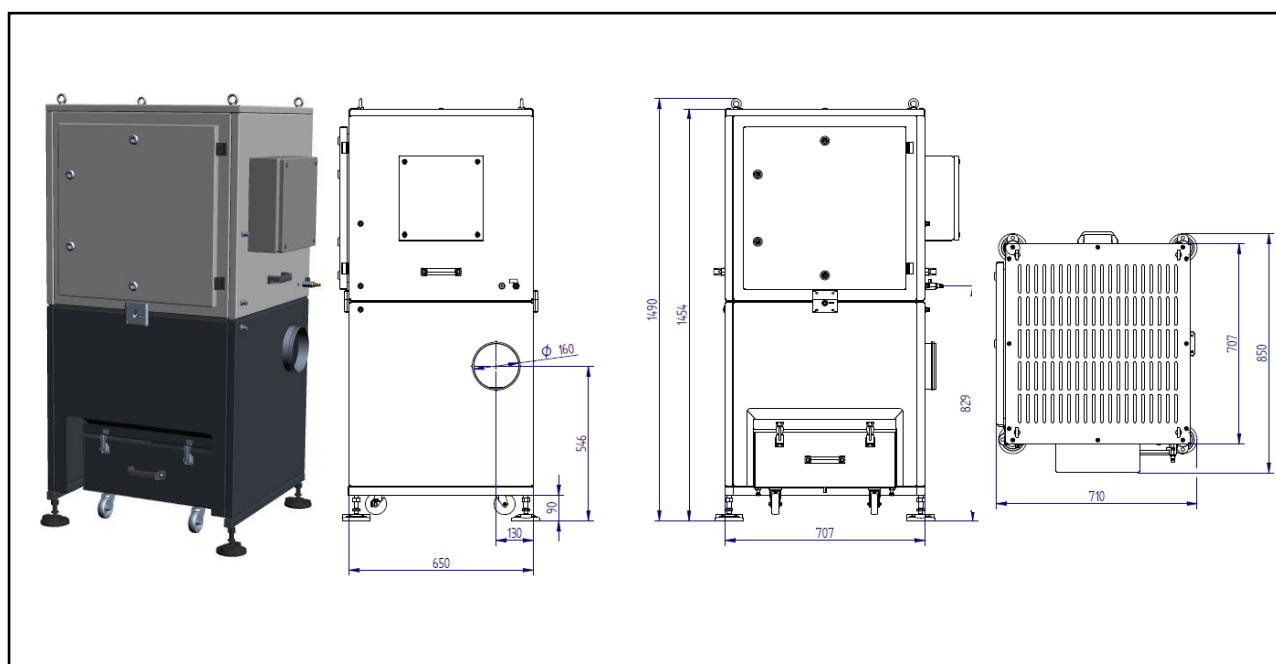


## ESTMAC D-1800

(09.9180)

Voltage	(V)	400	Filter surface	(m <sup>2</sup> )	15
Motor	(kW)	2,2	No. of filter elements	(piece)	2
Rated frequency	(Hz)	50	Filter material	Dust class „M“	
Fuse	(A)	C16	Filter cleaning	Rotation- cleaning	
Intake port	(mm)	160	Collection bin	(Liter)	40
max. air flow	(m <sup>3</sup> /h)	1.800	Dimensions (L x W x H)	(mm)	650 x 707 x 1.490
max. neg. pressure	(Pa)	2.650	Compressed air connection	(bar)	2x4-6
Sound level	(dBA)	73,3	Weight	(Kg)	180



## ESTA PLUS

### Application range:

- Dust extraction at individual or multiple workstations or machines in industrial plants or smaller shops
- Dry and pourable dusts

### Your benefits at a glance:

- All-prupose for dust and shavings
- Compact and powerful
- Convenient dust disposal
- Extremely quiet operation
- Low operating costs

### Characteristics:

- Filter cleaning method: manual rotation , with cleanable long life cartridge filters (dust classification M)
- Mobile dust collection drawer for easy disposal
- stationary

### Options:

- Tipping device for easy maintenance
- Special painting RAL
- Activated carbon filter
- 

State of the art99180-51-02 Subject to change without notice! For remaining questions, please do not hesitate to contact us..