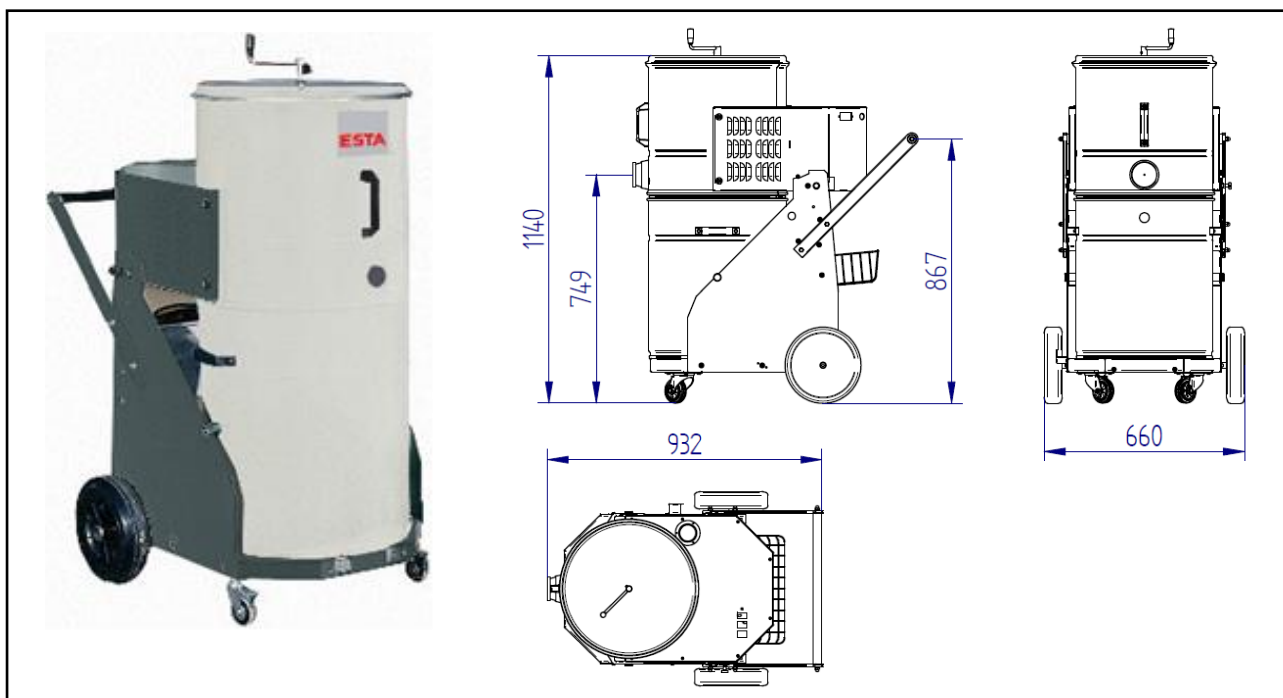


EUROSOG-W/H

(80.299)

Voltage	(V)	230	Filter surface pre-filter,,H“	(m ²)	2
Motor	(kW)	3 x 1,0	Filter surface main filter	(m ²)	5
Current	(A)	13	Filter cleaning		manuell
Rated frequency	(Hz)	50	Weight	(kg)	76
Fuse	(A)	16	Intake	(mm)	50
Max. neg. pressure	(Pa)	18.600	Dust collection bin	(Liter)	80
Max. airflow	(m ³ /h)	360	Dimension (l x w x h)	(mm)	932 x 660 x 1.140
Sound level	(dBA)	74			



ESTA PLUS

Application range:

Removal of coarse and fine dust during cleaning works
Removal of dusts that are hazardous to health /
cancer-causing

Your benefits at a glance:

Powerful industrial vacuum cleaner for dry, pourable
types of dust
Tight and easy-to-handle design
Easy disposal of the dust collection bag
Great range of products of accessories for the vacuum
cleaner

Characteristics:

Filter cleaning: manual brush cleaning
Cleanable long life cartridge filters (dust classification H)
Patented tiltable filter housing
Alternating current device
Test Certificate: dust classification "H"

Modification:

with different filter cartridges
Special voltage, Special painting, Mobile dust collection
bin, Installation of a pre-separator possible

State of the art: 80299-51-01 Subject to change without notice! For remaining questions please do not hesitate to contact us..