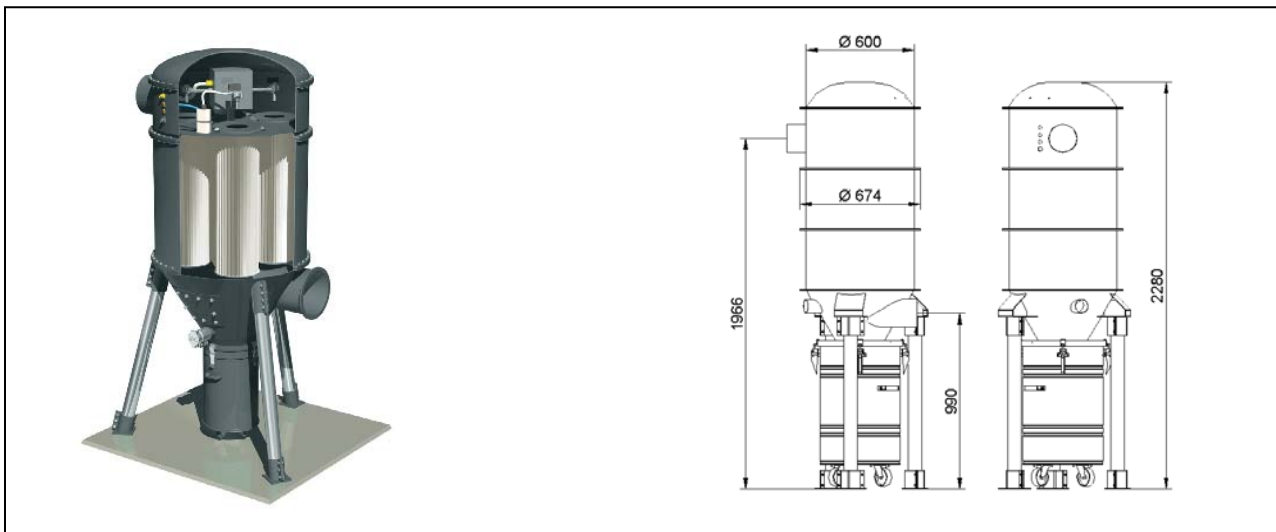


# FZ-1003

(300.027)

|  |                     |                         |
|--|---------------------|-------------------------|
| Cyclone diameter                                 | (mm)                | 674                     |
| Diameter filter cartridge                        | (mm)                | 156                     |
| Length filter cartridge                          | (mm)                | 660                     |
| Compressed air connection<br>for filter cleaning | (bar)               | 4-6                     |
| Dimensions (ø/H)                                 | (mm)                | 600 x 2.280             |
| Max. airflow                                     | (m <sup>3</sup> /h) | 1.000                   |
| Dust collection container                        | (Liter)             | 100                     |
| Filter material by BIA                           |                     | Polyester<br>antistatic |

|                                       |                   |             |
|---------------------------------------|-------------------|-------------|
| Filtration efficiency                 |                   | 99,8 %      |
| Outtake ø                             | (mm)              | outside 159 |
| Intake ø                              | (mm)              | outside 159 |
| Weight                                | (kg)              | ca. 160     |
| No. of filter elements                | (piece)           | 4           |
| Filter surface                        | (m <sup>2</sup> ) | 10          |
| Thread diameter<br>for compressed air | (mm)              | 9           |
| Comp. air requirement                 | (l/min)           | by 6 bar 27 |



## ESTA PLUS

### Application range:

Extraction from multiple workstations in industrial manufacturing and processing

### Your benefits at a glance:

The dual filter system is suitable for coarse and fine dust  
Quiet operation through sound insulation and remote positioning  
Industrial duty and maintenance free design  
Low operating costs through cleanable filters and high energy efficiency  
Suitable for applications requiring high negative pressure

### Characteristics:

Compact design  
Can accommodate large quantities of dust  
Resistant to extreme negative pressure

State of the art: 300027-51-00 Subject to change without notice! For remaining questions please do not hesitate to contact us.