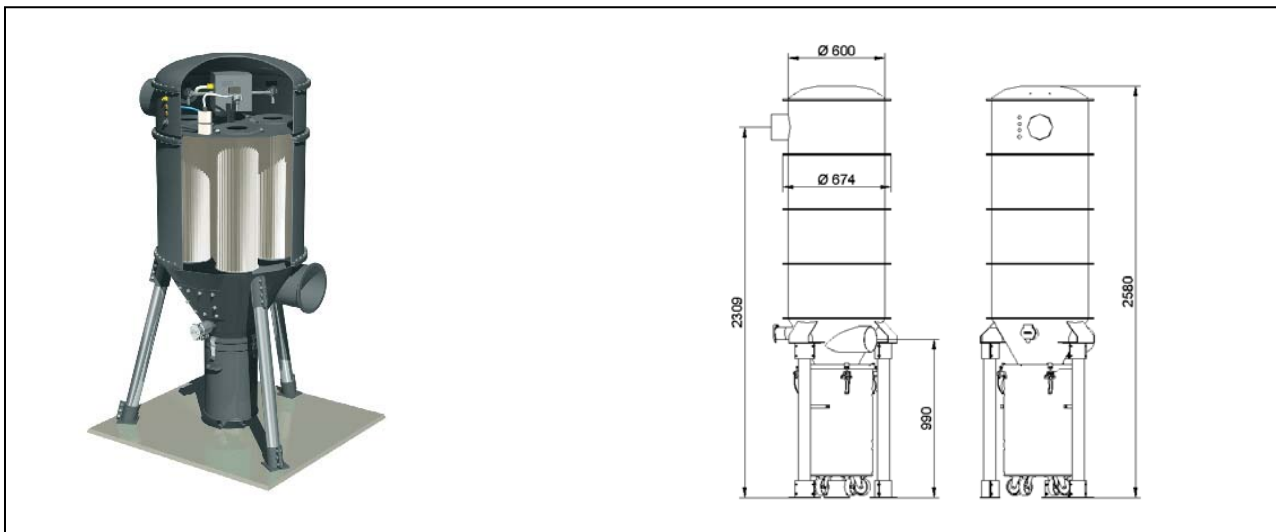


FZ-1503

(300.031)

Cyclone diameter	(mm)	674	Filtration efficiency		99,8 %
Diameter filter cartridge	(mm)	156	Outtake ø	(mm)	outside 159
Length filter cartridge	(mm)	1.000	Intake ø	(mm)	outside 159
Compressed air connection	(bar)	4-6	Weight	(kg)	ca. 175
for filter cleaning			No. of filter elements	(piece)	4
Dimensions (ø/H)	(mm)	600 x 2.580	Filter surface	(m ²)	14,4
Max. airflow	(m ³ /h)	1.500	Thread diameter	(mm)	9
Dust collection container	(Liter)	100	for compressed air		
Filter material by BIA		Polyester antistatic	Comp. air requirement	(l/min)	by 6 bar 27



ESTA PLUS

Application range:

Extraction from multiple workstations in industrial manufacturing and processing

Your benefits at a glance:

- The dual filter system is suitable for coarse and fine dust
- Quiet operation through sound insulation and remote positioning
- Industrial duty and maintenance free design
- Low operating costs through cleanable filters and high energy efficiency
- Suitable for applications requiring high negative pressure

Characteristics:

- Compact design
- Can accommodate large quantities of dust
- Resistant to extreme negative pressure

State of the art: 300031-51-00 Subject to change without notice! For remaining questions please do not hesitate to contact us.