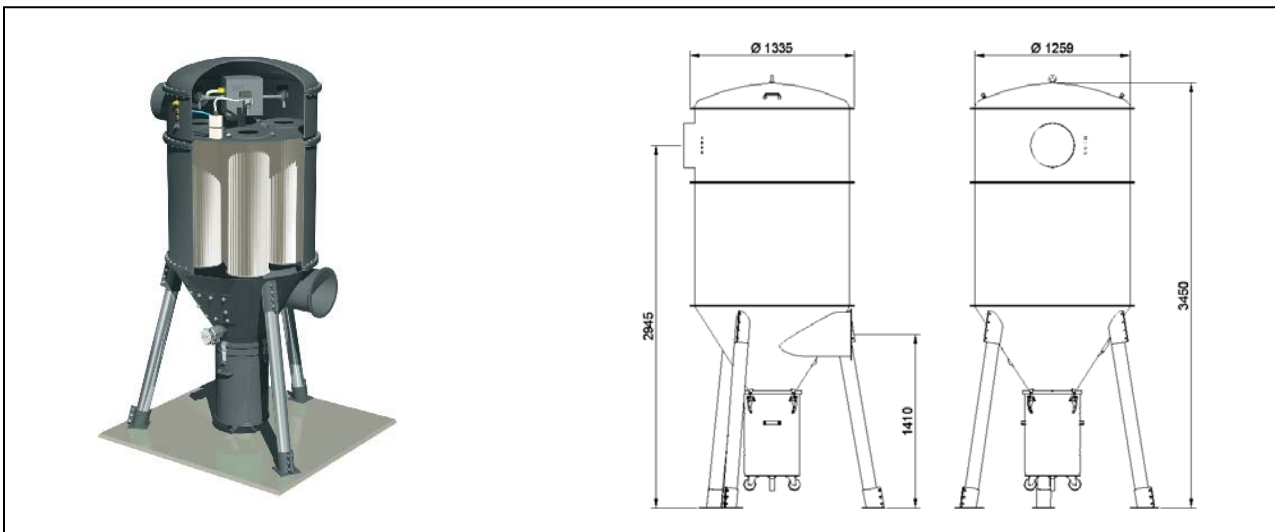


# FZ-5003

(300.033)

Cyclone diameter	(mm)	1.259	Filtration efficiency		99,8 %
Diameter filter cartridge	(mm)	325	Outtake $\varnothing$	(mm)	outside 355
Length filter cartridge	(mm)	1.000	Intake $\varnothing$	(mm)	outside 355
Compressed air connection	(bar)	4-6	Weight	(kg)	ca. 400
for filter cleaning			No. of filter elements	(piece)	3
Dimensions ( $\varnothing$ /H)	(mm)	1.335 x 3.450	Filter surface	(m <sup>2</sup> )	48
Max. airflow	(m <sup>3</sup> /h)	5.000	Thread diameter	(mm)	9
Dust collection container	(Liter)	100	for compressed air		
Filter material by BIA		Polyester antistatic	Comp. air requirement	(l/min)	by 6 bar 96



## ESTA PLUS

### Application range:

Extraction from multiple workstations in industrial manufacturing and processing

### Your benefits at a glance:

- The dual filter system is suitable for coarse and fine dust
- Quiet operation through sound insulation and remote positioning
- Industrial duty and maintenance free design
- Low operating costs through cleanable filters and high energy efficiency
- Suitable for applications requiring high negative pressure

### Characteristics:

- Compact design
- Can accommodate large quantities of dust
- Resistant to extreme negative pressure

State of the art: 300033-51-00 Subject to change without notice! For remaining questions please do not hesitate to contact us.