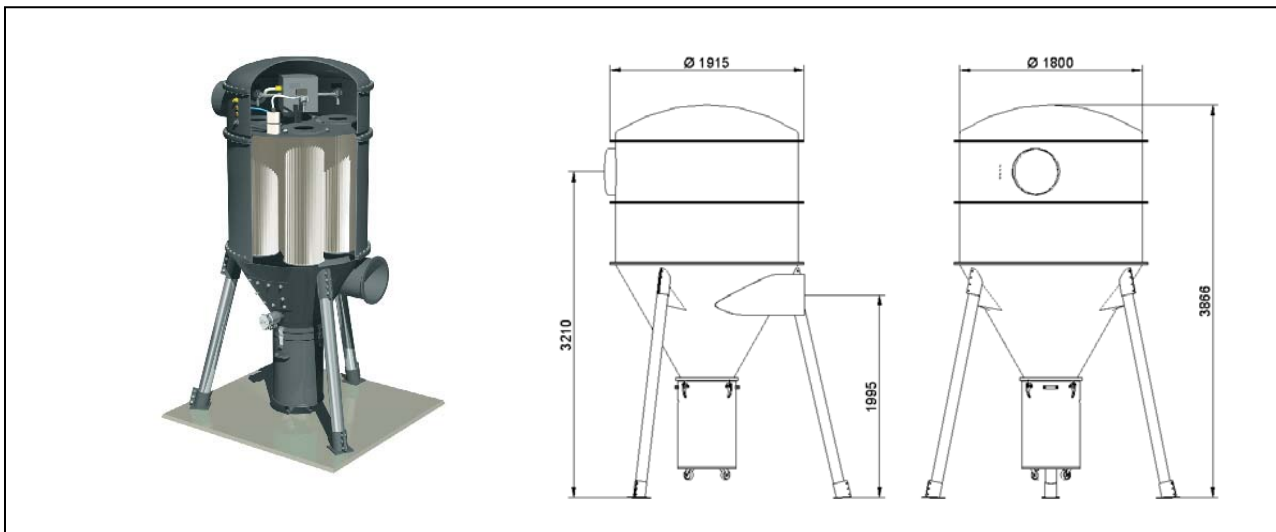


FZ-7003

(300.034)

Cyclone diameter	(mm)	1.800	Filtration efficiency		99,8 %
Diameter filter cartridge	(mm)	325	Outtake \varnothing	(mm)	outside 450
Length filter cartridge	(mm)	600	Intake \varnothing	(mm)	outside 400
Compressed air connection	(bar)	4-6	Weight	(kg)	ca. 770
for filter cleaning			No. of filter elements	(Stück)	7
Dimensions (\varnothing /H)	(mm)	1.915 x 3.866	Filter surface	(m ²)	70
Max. airflow	(m ³ /h)	7.000	Thread diameter	(mm)	9
Dust collection container	(Liter)	200	for compressed air		
Filter material by BIA		Polyester antistatic	Comp. air requirement	(l/min)	by 6 bar 96



ESTA PLUS

Application range:

Extraction from multiple workstations in industrial manufacturing and processing

Your benefits at a glance:

The dual filter system is suitable for coarse and fine dust
 Quiet operation through sound insulation and remote positioning
 Industrial duty and maintenance free design
 Low operating costs through cleanable filters and high energy efficiency
 Suitable for applications requiring high negative pressure

Characteristics:

Compact design
 Can accommodate large quantities of dust
 Resistant to extreme negative pressure

State of the art: 300034-51-00 Subject to change without notice! For remaining questions please do not hesitate to contact us.