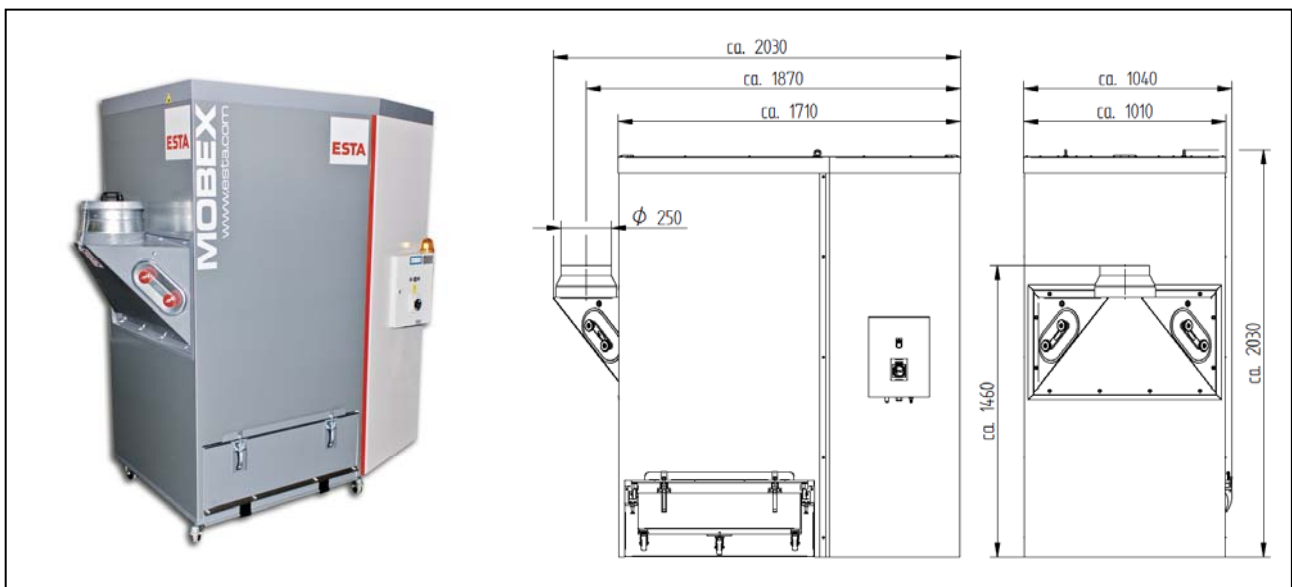


# MOBEX F-60 W3

(09.836)

Motor	(kW)	4,0	Filter surface	(m <sup>2</sup> )	60
Voltage	(V)	400	No. of filter elements	(pc)	3
Rated frequency	(Hz)	50	Filter cleaning		Jet-Pulse
Fuse	(A)	16	Dust collection drawer	(liter)	100 - 150
max. airflow	(m <sup>3</sup> /h)	4.500	Dimensions (L x W x H) (mm)		2.030x1.040x2.030
max. neg. pressure	(Pa)	3.400	Weight	(kg)	ca. 350
Intake	(mm)	250	Comp. air requirement	(l/impuls)	ca. 19
Sound level	(dBA)	74	Comp. air connection	(bar)	4-6

\* bei 4 bar mit Ventilöffnungszeit 0,12sec



## ESTA PLUS

### Application range:

Single and multiple extraction in industrial plants or smaller workshops  
Dry, pourable, non-flammable welding fumes  
For the extraction of smoke of steel with alloy content of e.g. nickel and chromium  $\leq 30\%$  and high-alloy steels

### Your benefits at a glance:

All-purpose for welding fumes  
Tight and powerful  
Convenient dust disposal  
Low operation noise  
Low operating costs  
W3-certified device (IFA 1305020)  
Test requirements: DIN EN ISO 15012-1:2005

### Characteristics:

Automatic jet pulse filter cleaning system  
Cleanable long life cartridge filters (dust classification M)  
Integrated impact separator  
Easy replaceable dust collection bins  
New housing structure of sandwich panel  
Certificate: W3 (IFA 1305020)

### Modification:

Filter cartridges with advanced properties  
With pre-separator  
Mobile on wheels (H + 107 mm)  
With dry contact for external control  
Exhaust air socket

State of the art: 09836-51-01 Subject to change without notice! For remaining questions please do not hesitate to contact us.