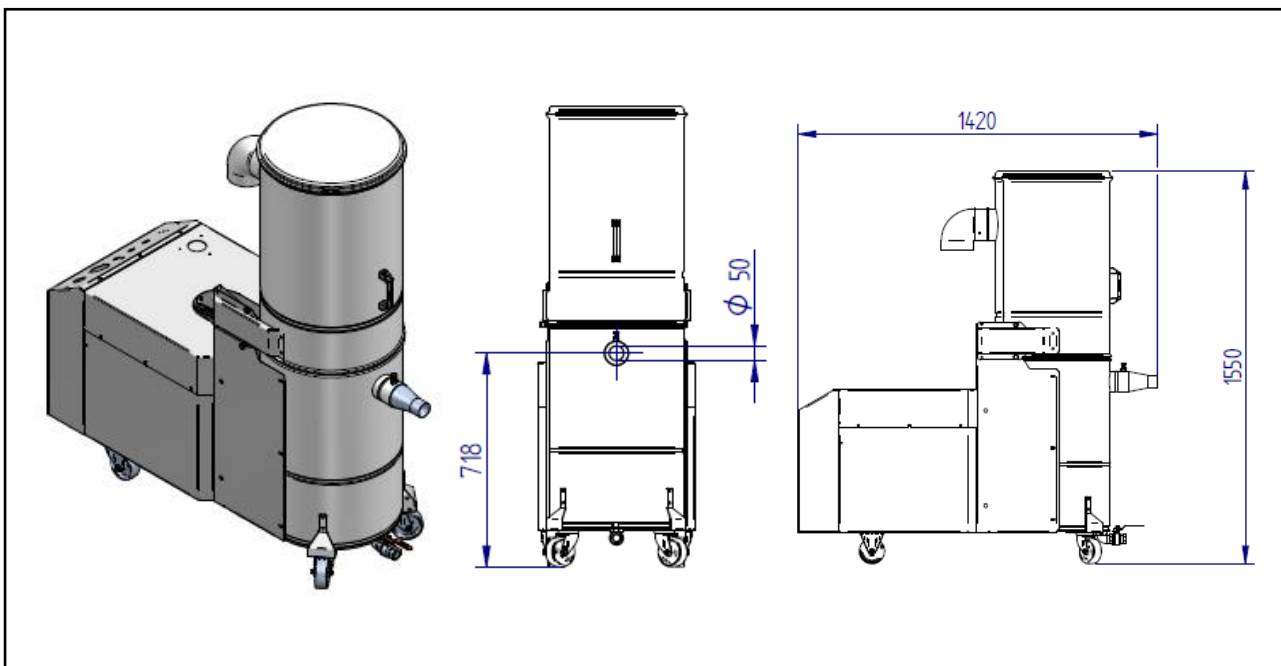


Wet separator NA-2.2

(45.612)

Voltage	(V)	400	Water outtake		G ¾"
Motor	(kW)	2,2	Dimensions (l x w x h)	(mm)	1.260 x 630 x 1.560
Current (400V/50Hz)	(A)	4	Weight (without Water)	(kg)	140
Fuse	(A)	16	Water capacity	(l)	40
max. neg. pressure	(Pa)	21.000	Intake	(mm)	50
max. airflow	(m ³ /h)	300			



ESTA PLUS

Application range:

- Removal of sticky and wet dust at cleaning works
- Extraction of metallic dust with flying sparks

Your benefits at a glance:

- Compact and powerful
- Low operating costs
- Easy disposal of the waste water by using the mud drain
- Available in stainless steel version
- High suction power for sticky and wet dust
- For spark generating production

Special Features:

- Tilt back upper housing
- Magnetic valve for automatic water supply (optional)
- Stainless steel (optional)
- Especially recommended for grinding applications that are generating sparks

Optional:

- ATEX-Modification

State of the art: 45612-51-02 Subject to change without notice! For remaining questions please do not hesitate to contact us.

ESTA Apparatebau GmbH & Co. KG
Gotenstraße 2 – 6
89250 Senden

Telefon 07307 804-0
Telefax 07307 804-500
E-Mail info@esta.com

www.esta.com