

PERMA ARM

EXTRACTION ARMS FOR LABORATORIES



Model (Ø 57 mm) **PRM-10-305-HL** with:
- base for wall mounting **PRM-10-315**
- polycarbonate hood (Ø 280 mm) **PRM-10-316A** (optional)

USE

- Air extraction in chemical, plastic and mechanical industries
- Air extraction for electronics industry (antistatic version)
- Air suction for hairdressers, dental clinics, jewelers, pharmacies
- Air suction for laboratories, hospitals, veterinarians, physiotherapists, schools
- Air suction for slaughterhouses, supermarkets, dairy processing

FEATURES

- Self-supporting arm with standard valve, with 2 or 3 joints
- Available in totally antistatic version
- Low pressure drop and low noise level
- Available in lengths from 380 mm to 1490 mm and inlet diameters from 57 mm and 76 mm
- Accessories for ceiling, wall and table mounting
- Anodized aluminum tubes and white or black joints
- Ease of assembly, maintenance and cleaning
- Custom construction solutions available



PERMA ARM

EXTRACTION ARMS FOR LABORATORIES



PERMA ARM STRONG POINTS



The construction allows you to place the extraction point exactly where you need it.



The joints can be adjusted with only one hand.



Perma Arm is available in \varnothing 57 mm and \varnothing 76 mm, in lengths from 380 mm to 1490 mm with 2 or 3 joints. Valves inside the arm are standard. The arm is self-supporting.



A number of options are available for ceiling, wall or table mounting. The mounting brackets, as well as the smooth extension tubes, are part of the standard assortment.



The joints are white (for non-antistatic versions) or black (for ESD antistatic versions).



Perma Arm arms are available in antistatic ESD version where the entire installation, from the fan to the suction point, is antistatic.



Different types of extractor hoods and extractor spouts are available for different needs. Spouts with flexible hose also available.



Perma Arm is the ideal arm for use in school laboratory classrooms, with polycarbonate hoods installed above each desk.



Perma Arm arms are also suitable for use in beauty salons and hairdressers.

TECHNICAL DATA

MODEL				ARM LENGTH	JOINTS
Non antistatic version with wall support	Non antistatic version with table support	Antistatic version (ESD) with wall support	Antistatic version (ESD) with table support	mm	n

PERMA ARM Ø 57 MM [Air flow rate: 50-140 m³/h]

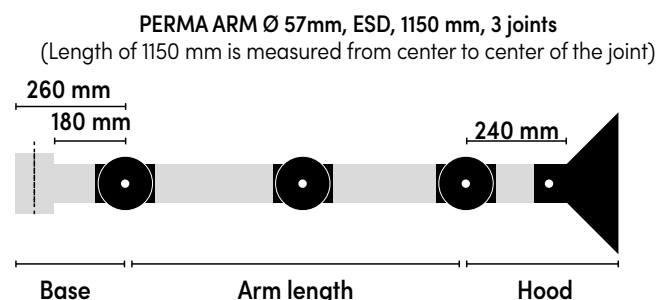
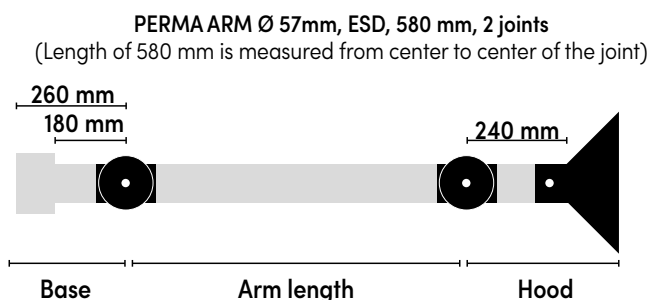
PRM-10-300-HL	PRM-10-300-H	PRM-10-350-SL	PRM-10-350-SB	380	2
PRM-10-301-HL	PRM-10-301-H	PRM-10-351-SL	PRM-10-351-SB	480	2
PRM-10-302-HL	PRM-10-302-H	PRM-10-352-SL	PRM-10-352-SB	580	2
PRM-10-303-HL	PRM-10-303-H	PRM-10-353-SL	PRM-10-353-SB	750	3
PRM-10-304-HL	PRM-10-304-H	PRM-10-354-SL	PRM-10-354-SB	950	3
PRM-10-305-HL	PRM-10-305-H	PRM-10-355-SL	PRM-10-355-SB	1150	3
PRM-10-306-HL	PRM-10-306-H	PRM-10-356-SL	PRM-10-356-SB	1250	3
PRM-10-307-HL	PRM-10-307-H	PRM-10-357-SL	PRM-10-357-SB	1350	3
PRM-10-308-HL	PRM-10-308-H	PRM-10-358-SL	PRM-10-358-SB	1420	3
PRM-10-309-HL	PRM-10-309-H	PRM-10-359-SL	PRM-10-359-SB	1490	3

PERMA ARM Ø 76 MM [Air flow rate: 100-220 m³/h]

PRM-10-400-HL	PRM-10-400-H	PRM-10-450-SL	PRM-10-450-SB	380	2
PRM-10-401-HL	PRM-10-401-H	PRM-10-451-SL	PRM-10-451-SB	480	2
PRM-10-402-HL	PRM-10-402-H	PRM-10-452-SL	PRM-10-452-SB	580	2
PRM-10-403-HL	PRM-10-403-H	PRM-10-453-SL	PRM-10-453-SB	750	3
PRM-10-404-HL	PRM-10-404-H	PRM-10-454-SL	PRM-10-454-SB	950	3
PRM-10-405-HL	PRM-10-405-H	PRM-10-455-SL	PRM-10-455-SB	1150	3
PRM-10-406-HL	PRM-10-406-H	PRM-10-456-SL	PRM-10-456-SB	1250	3
PRM-10-407-HL	PRM-10-407-H	PRM-10-457-SL	PRM-10-457-SB	1350	3
PRM-10-408-HL	PRM-10-408-H	PRM-10-458-SL	PRM-10-458-SB	1420	3
PRM-10-409-HL	PRM-10-409-H	PRM-10-459-SL	PRM-10-459-SB	1490	3

The non-antistatic version models always have white joints. The models in the antistatic version (ESD) always have black joints.
Maximum use temperature: 140 °C

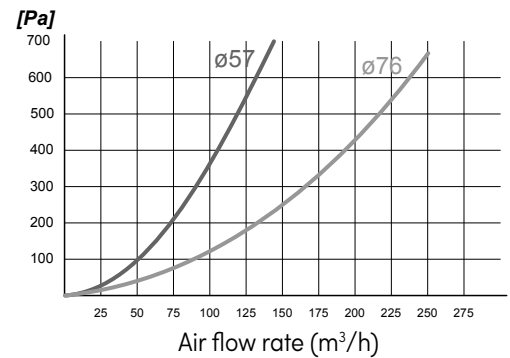
EXAMPLES OF CONSTRUCTION



SELECTION GUIDE BY SECTOR

SECTOR	ARM TYPE	Ø 57 MM	Ø 57 MM ESD	Ø 76 MM	Ø 76 MM ESD
Dental technicians	with suction spout	✓		✓	
Veterinarians and clinics	with circular or conical suction hood			✓	
Podiatry	with conical suction hood	✓			
Nail reconstruction	with suction spout	✓			
Doctors and specialists	with suction spout, with conical suction hood	✓		✓	
Laboratories	with suction spout, with suction hood		✓	✓	✓
Hospitals	with suction spout			✓	
Pharmacies	with suction spout			✓	
Goldsmiths	with suction spout, with suction hood	✓		✓	
Hairdressers	with flat screen, with extractor hood	✓			
Classrooms of schools and universities	with suction spout, with conical suction hood	✓		✓	
Electronics industries	with suction spout		✓		✓

PRESSURE DROP



STANDARD SUPPLIES

	MODEL	Ø SUCTION	ANTISTATIC EXECUTION (ESD)	DESCRIPTION
	PRM-10-315	57 mm		Base for wall or ceiling mounting, l. 180 mm, Ø 100 mm
	PRM-10-415	76 mm		Base for wall or ceiling mounting, l. 180 mm, Ø 100 mm
	PRM-10-500	57 mm		Bracket for table mounting, installs in hole Ø 71 mm in the table, connection Ø 63 mm NP
	PRM-10-500A	76 mm		Bracket for table mounting, installs in hole Ø 88 mm in the table, connection Ø 80 mm NP
	PRM-10-365	57 mm	✓	Base for wall or ceiling mounting, l. 180 mm, Ø 100 mm
	PRM-10-465	76 mm	✓	Base for wall or ceiling mounting, l. 180 mm, Ø 100 mm
	PRM-10-365B	57 mm	✓	Bracket for table mounting, installs in hole Ø 71 mm in the table, connection Ø 63 mm NP
	PRM-10-465B	76 mm	✓	Bracket for table mounting, installs in hole Ø 88 mm in the table, connection Ø 80 mm NP
	PRM-10-321	57 mm		Conical aluminum hood, Ø 150 mm
	PRM-10-421	76 mm		Conical aluminum hood, Ø 150 mm
	PRM-10-366	57 mm	✓	Conical aluminum hood, Ø 150 mm
	PRM-10-466	76 mm	✓	Conical aluminum hood, Ø 150 mm

OPTIONAL

	MODEL	Ø SUCTION	ANTISTATIC EXECUTION (ESD)	DESCRIPTION
	PRM-10-501	57 mm		Bracket for mounting on the edge of the table, Ø 63 mm NP
	PRM-10-501A	76 mm		Bracket for mounting on the edge of the table, Ø 80 mm NP
	PRM-10-365C	57 mm	✓	Bracket for mounting on the edge of the table, Ø 63 mm NP
	PRM-10-465C	76 mm	✓	Bracket for mounting on the edge of the table, Ø 80 mm NP
	PRM-10-316A	57 mm		Polycarbonate hood, Ø 280 mm
	PRM-10-416A	76 mm		Polycarbonate hood, Ø 280 mm
	PRM-10-317	57 mm		Conical hood in polycarbonate, Ø 250 mm
	PRM-10-417	76 mm		Conical hood in polycarbonate, Ø 250 mm
	PRM-10-374A	57 mm	✓	Conical hood in painted polycarbonate, Ø 280 mm
	PRM-10-470A	76 mm	✓	Conical hood in painted polycarbonate, Ø 280 mm
	PRM-10-325	57 mm		Suction spout in aluminum, length 350 mm
	PRM-10-423	76 mm		Suction spout in aluminum, length 350 mm
	PRM-10-368	57 mm	✓	Suction spout in aluminum, length 350 mm, ESD
	PRM-10-468	76 mm	✓	Suction spout in aluminum, length 350 mm, ESD