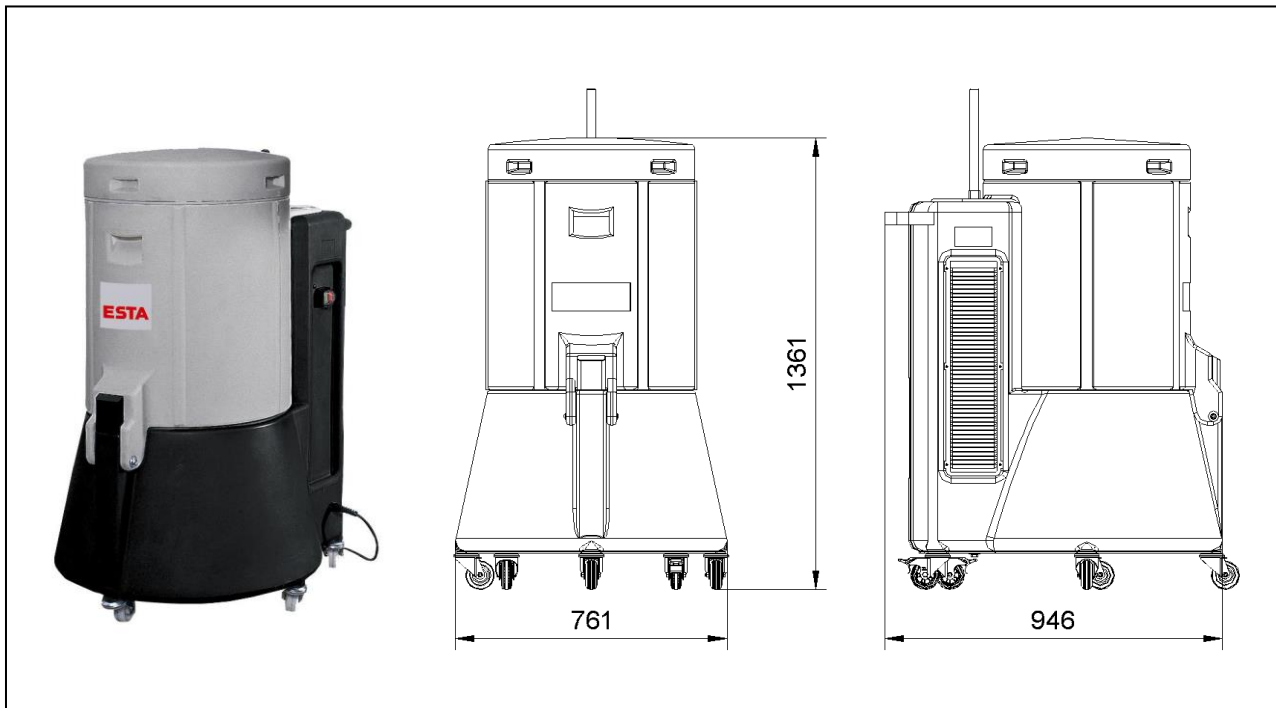


# SRF K-10 IFA W3

(55.235)

Voltage	(V)	230	max. neg. pressure	(Pa)	2.800
Motor	(kW)	1,3	max. air flow	(m <sup>3</sup> /h)	950
Filter surface	(m <sup>2</sup> )	18	Weight	(kg)	74
Rated frequency	(Hz)	50	Intake diameter	(mm)	140
Mode of operation		S3	Dimensions (L x B x H)	(mm)	946 x 761 x 1.361
Sound level	dB (A)	72	Protection category		IP 54

\*at 4 bar with valve opening 0,12 sec



## ESTA PLUS

### Application Range:

- Intermittent and continuous duty operation
- Extraction of welding fumes (high-alloy steels too)
- Modified for fume extraction suitable

### Your benefits at a glance:

- Powerful capturing of the welding fumes
- Mobile for versatile use and suitable for continuous duty applications
- Compact and user friendly design
- Low operating costs through the use of cleanable
- long life cartridge filters (dust classification „M“)
- Convenient disposal of the dust

### Characteristic:

- Filter cleaning with compressed air gun (manually)
- IFA Test Certificate W3

### Modifications:

- Special equipment with automatic cleaning, manual
- rotating cleaning,
- special voltage,
- automatic attempt via optical sensor
- BIA test certificate W3
- attempt via start and stop contactor at the extraction cap or at the extraction arm,
- AC motor
- active carbon filter,
- exhaust air connection
- automatic attempt via clamp forceps

State of the art: 55235-51-01 Subject to change without notice! For remaining questions, please do not hesitate to contact us.

ESTA Apparatebau GmbH & Co. KG  
Gotenstraße 2 – 6  
89250 Senden / GERMANY

Phone +49 7307 804-0  
Fax +49 7307 804-500  
E-Mail info@esta.com

[www.esta.com](http://www.esta.com)