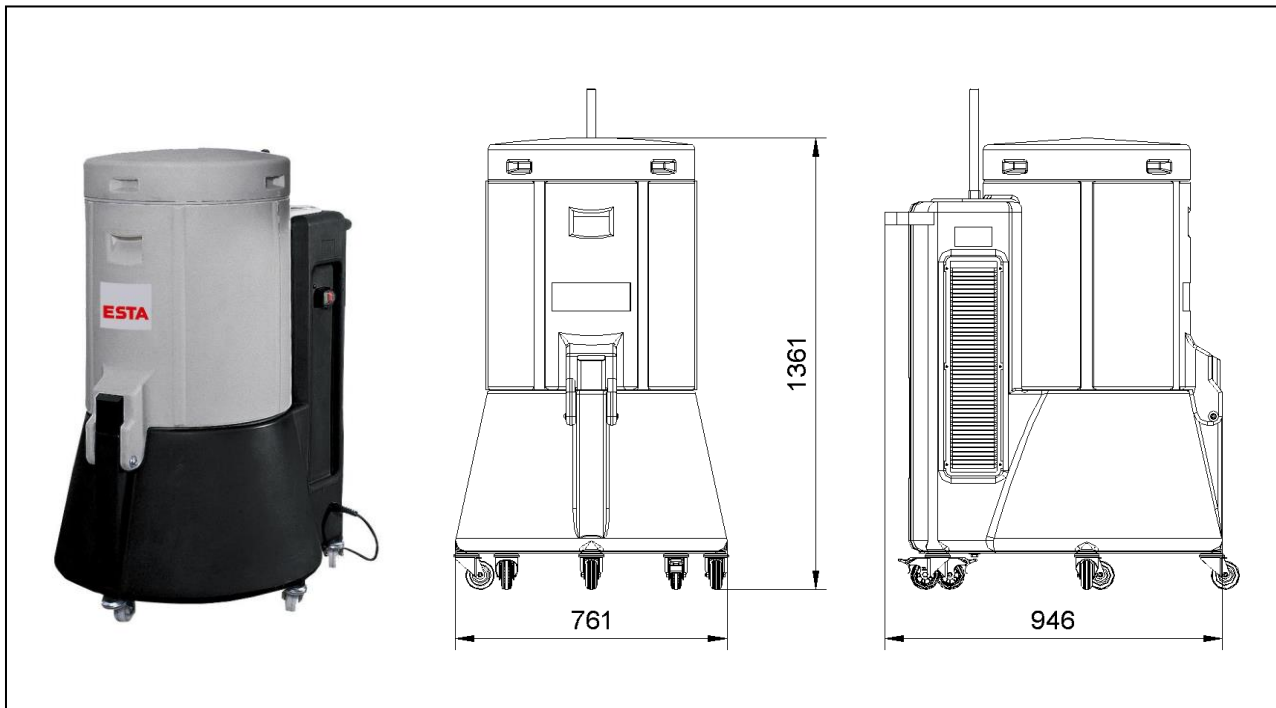


SRF K-15 BIA W2

(55.228)

| | | | | | |
|-------------------|-------------------|-----|------------------------|---------------------|-------------------|
| Voltage | (V) | 400 | max. neg. pressure | (Pa) | 2.800 |
| Motor | (kW) | 2,2 | max. air flow | (m ³ /h) | 1.600 |
| Filter surface | (m ²) | 15 | Weight | (kg) | 74 |
| Rated frequency | (Hz) | 50 | Intake diameter | (mm) | 2 x 140 |
| Mode of operation | | S1 | Dimensions (L x B x H) | (mm) | 946 x 761 x 1.361 |
| Sound level | dB (A) | 74 | Protection category | | IP 54 |

*at 4 bar with valve opening 0,12 sec



ESTA PLUS

Application Range:

- Intermittent and continuous duty operation
- Extraction of welding fumes at 2 workplaces (high-alloy steels too)
- Suitably modified for fume extraction

Your benefits at a glance:

- Powerful capturing of the welding fumes
- Mobile for versatile use and suitable for continuous duty applications
- Compact and user friendly design
- Low operating costs through the use of cleanable
- long life cartridge filters (dust classification „M“)
- Convenient disposal of the dust

Characteristic:

- Filter cleaning with compressed air gun (manually)
- BIA Test Certificate W2

Modifications:

- Special equipment with automatic cleaning, manual
- rotating cleaning,
- special voltage,
- automatic attempt via optical sensor
- BIA test certificate W3
- attempt via start and stop contactor at the extraction cap or at the extraction arm,
- AC motor
- active carbon filter,
- exhaust air connection
- automatic attempt via clamp forceps

State of the art: 55228-51-00 Subject to change without notice! For remaining questions, please do not hesitate to contact us.

ESTA Apparatebau GmbH & Co. KG
 Gotenstraße 2 – 6
 89250 Senden / GERMANY

Phone +49 7307 804-0
 Fax +49 7307 804-500
 E-Mail info@esta.com

www.esta.com