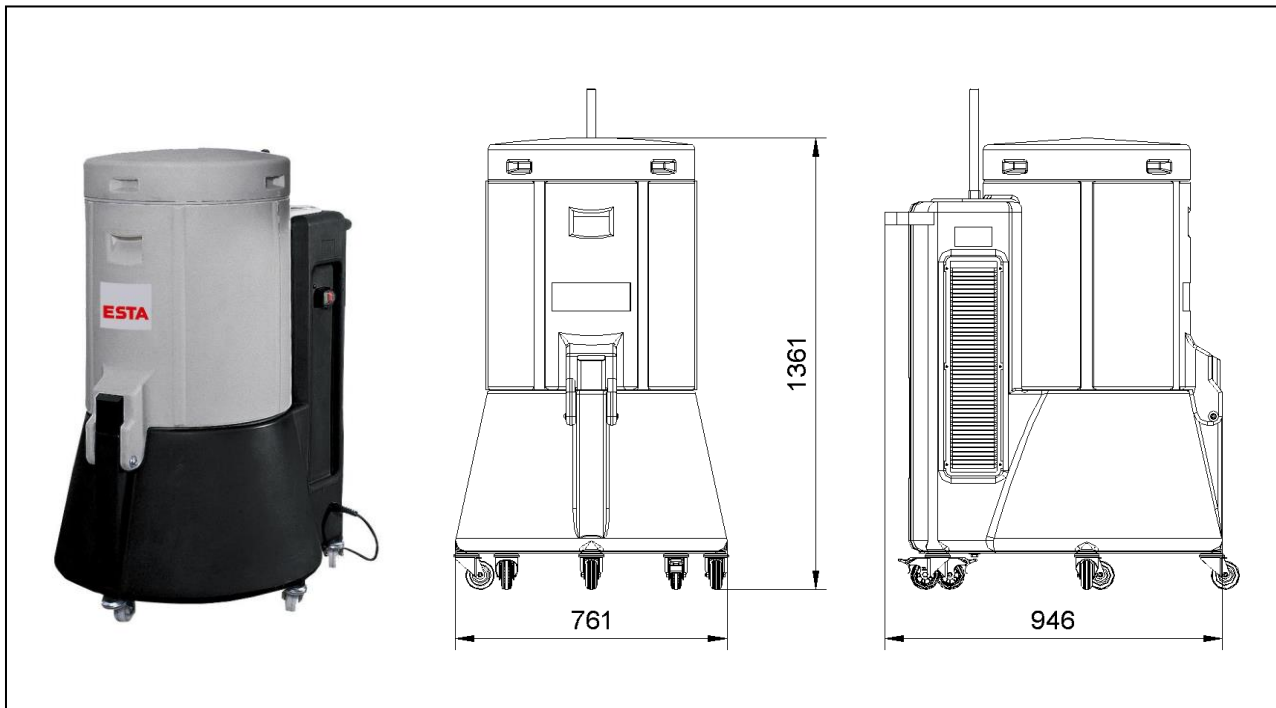


SRF K-15 IFA W3

(55.229)

Voltage	(V)	400	max. neg. pressure	(Pa)	2.800
Motor	(kW)	2,2	max. air flow	(m ³ /h)	1.600
Filter surface	(m ²)	15	Weight	(kg)	74
Rated frequency	(Hz)	50	Intake diameter	(mm)	2 x 140
Mode of operation		S1	Dimensions (L x B x H)	(mm)	946 x 761 x 1.361
Sound level	dB (A)	74	Protection category		IP 54

*at 4 bar with valve opening 0,12 sec



ESTA PLUS

Application Range:

- Intermittent and continuous duty operation
- Extraction of metallic fumes for simultaneous extraction at 2 workplaces

Your benefits at a glance:

- Powerful capturing of the welding fumes
- Mobile for versatile use and suitable for continuous duty applications
- Compact and user friendly design
- Low operating costs through the use of cleanable
- long life cartridge filters (dust classification „M“)
- Convenient disposal of the dust

Characteristic:

- Filter cleaning with compressed air gun (manually)
- IFA Test Certificate W3

Modifications:

- Special equipment with automatic cleaning, manual
- rotating cleaning,
- special voltage,
- automatic attempt via optical sensor
- BIA test certificate W3
- attempt via start and stop contactor at the extraction cap or at the extraction arm,
- AC motor
- active carbon filter,
- exhaust air connection
- automatic attempt via clamp forceps

State of the art: 55229-51-01 Subject to change without notice! For remaining questions, please do not hesitate to contact us.