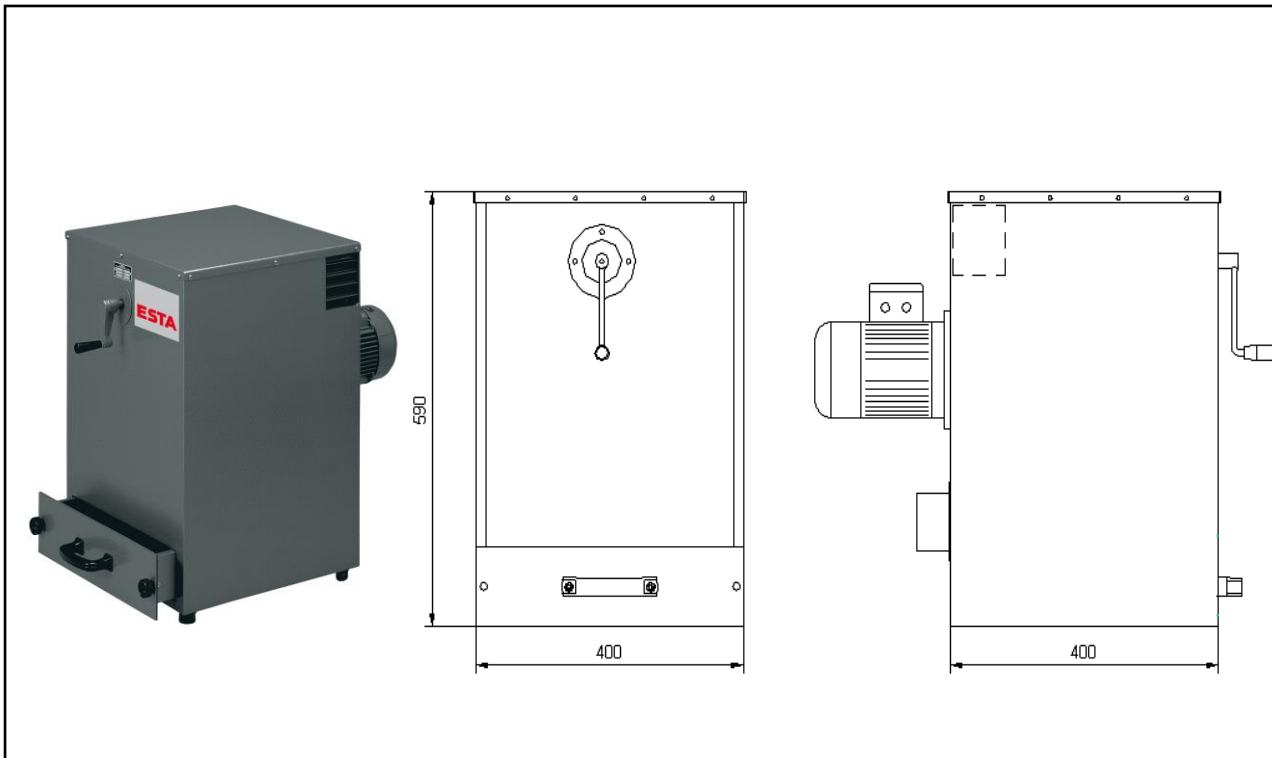


TK-4

(31.041)

Voltage	(V)	400	Speed	(1/min)	2.800
Motor	(kW)	0,55	Weight	(kg)	40
Intake diameter	(mm)	60	Max. neg. pressure	(Pa)	1.100
max. airflow	(m ³ /h)	300	Dimensions (l x w x h)	(mm)	400 x 400 x 590
Fuse	(A)	1,64			



ESTA PLUS

Application Range:

- Single extraction in industrial plants or smaller workshops

Characteristic:

- Cleanable pocket type fabric filter through crank mechanism

Your benefits at a glance:

- Minimal space requirement
- Easy to use
- Cleanable, long-life pocket type fabric filter
- Low operating costs

Modifications

- different filter materials
- exhaust air connection
- special voltage
- special painting
- alternating current
- with alternating current

State of the art: 31041-51-00 Subject to change without notice! For remaining questions please do not hesitate to contact us.