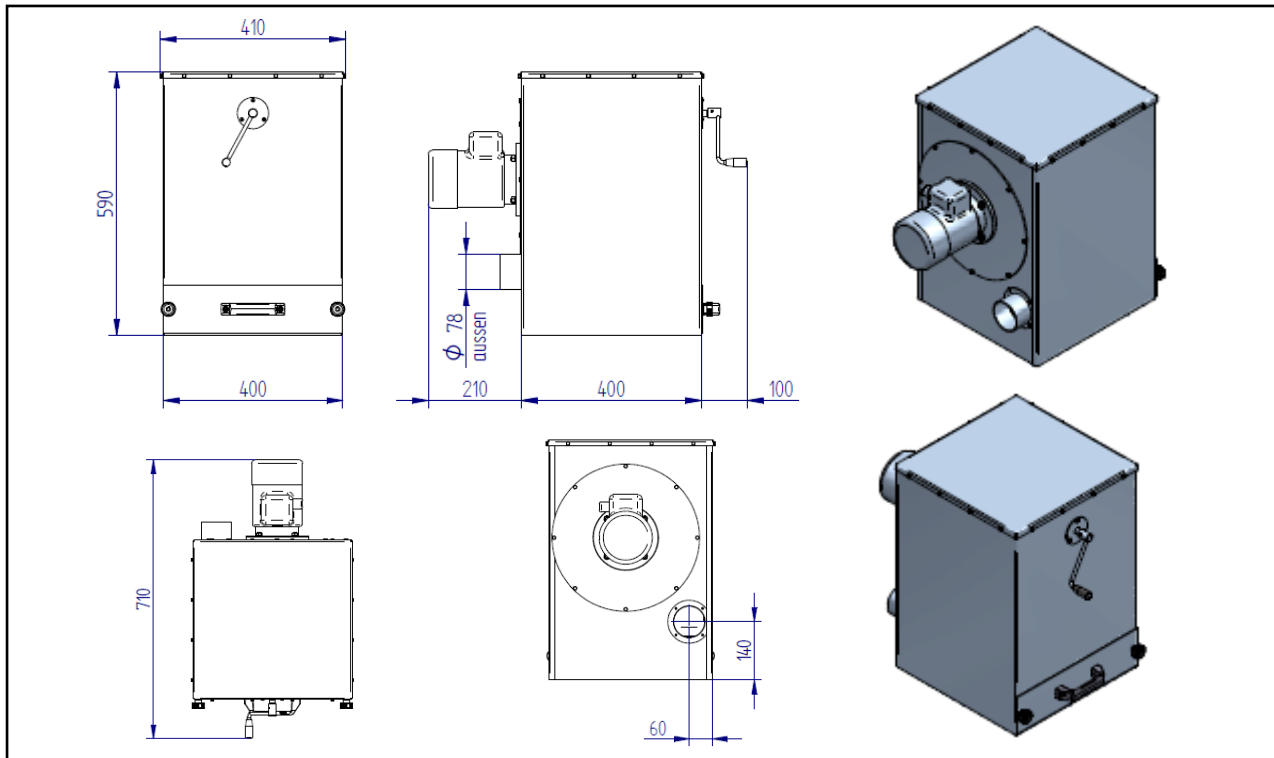


TK-6

(31.061)

Voltage	(V)	400	Speed	(1/min)	2.800
Motor	(kW)	0,55	Weight	(kg)	40
Intake diameter	(mm)	80	Max. neg. pressure	(Pa)	1.400
max. airflow	(m ³ /h)	450	Dimensions (l x w x h)	(mm)	400 x 400 x 590
Fuse	(A)	1,64			



ESTA PLUS

Application Range:

- Single extraction in industrial plants or smaller workshops
- Mechanical Workshops, metalworking industrie

Characteristic:

- Cleanable pocket type fabric filter through crank mechanism

Your benefits at a glance:

- Minimal space requirement
- Easy to use
- Cleanable, long-life pocket type fabric filter
- Low operating cost

Modifications

- different filter materials
- exhaust air connection
- special voltage
- special painting
- alternating current

State of the art: 31061-51-01 Subject to change without notice! For remaining questions please do not hesitate to contact us.