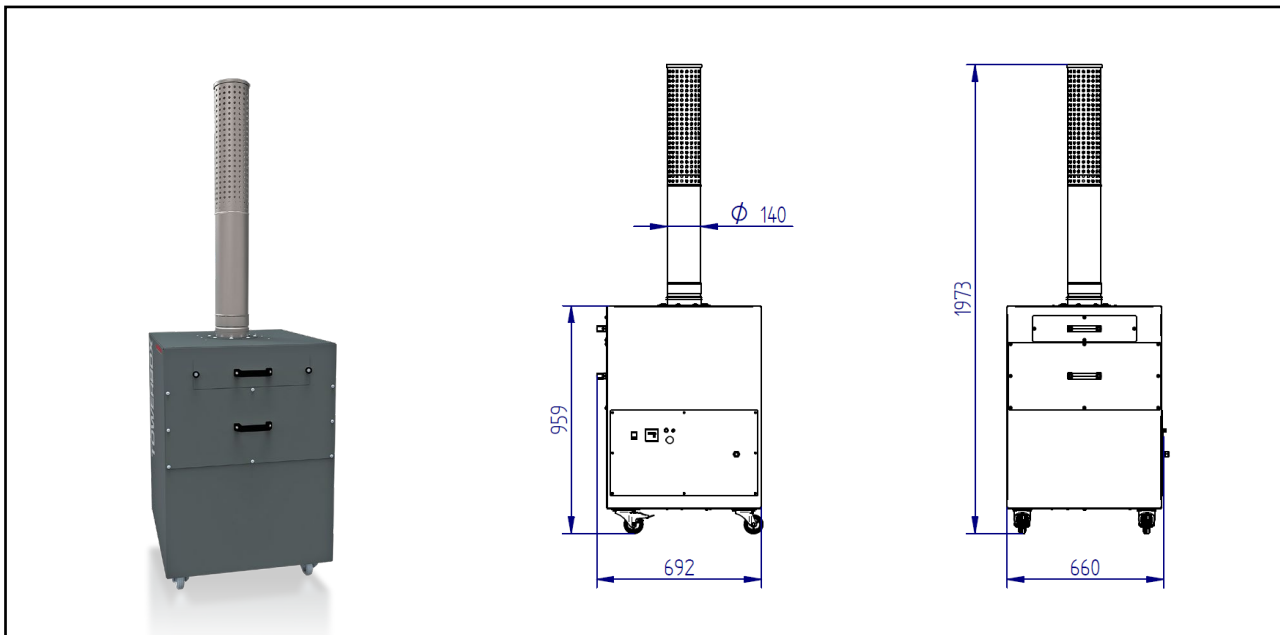


TowerBox

(55504)

Connection voltage (V)	230	Filter area (m ²)	13.57
Nominal frequency (Hz)	50 / 60	Number of filter elements (units)	3
Drive power (kW)	0.51	Max. airflow volume (m ³ /h)	950
Nominal current (A)	2.2	Connection diameter (mm)	140
Circuit breaker (A)	C16	Weight (kg)	approx. 100
Protection class	IP 54	Dimensions (L x W x H) (mm)	
Sound pressure level dB(A)	70.5	Without tube	692 x 660 x 959
		With tube	692 x 660 x 1959



ESTA PLUS

Area of application:

- Room air extraction for welding fumes and airborne dusts in industry and trade
- Supplemental solution for precision extraction

Special feature:

- Perforated tube on the top side of the equipment for simple and flow-optimised collection
- Operating hours counter

The benefits to you at a glance

- Efficient fume extraction for improved room air quality
- Suitable for mobile use and continuous operation
- Compact and handy design, also suitable for use in confined areas
- Simple and dust-free disposal of collected material by means of drawer
- Dust class M filter cassette
- Quiet and energy-saving operation through EC technology

State of the art: 55504-51-01 Subject to technical changes! In case of questions, ESTA experts are willing to help.

ESTA Apparatebau GmbH & Co. KG
Gotenstraße 2 – 6
89250 Senden / GERMANY

Phone +49 7307 804-0
Fax +49 7307 804-500
E-Mail info@esta.com

www.esta.com